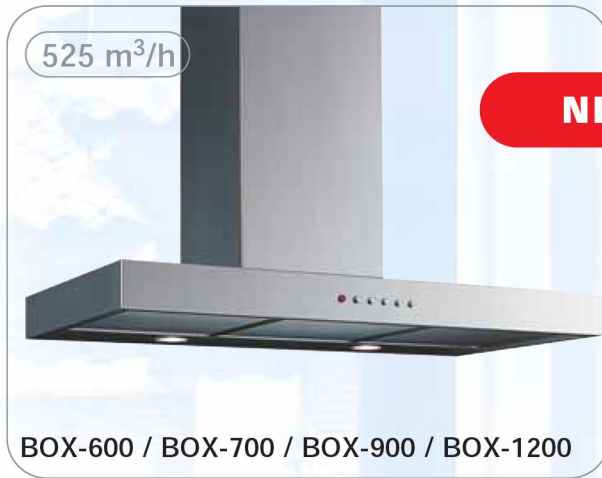




**COOKER HOODS AND KITCHEN FITTINGS**  
**DECORATIVE**



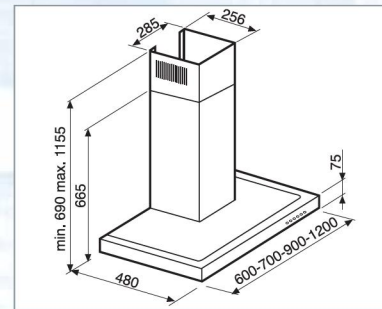
**BOX-600 / BOX-700 / BOX-900 / BOX-1200**

**VERSIONS Stainless**

BOX-600: 60 cm wide
BOX-700: 70 cm wide
BOX-900: 90 cm wide
BOX-1200: 120 cm wide

- Tangential motor/capacitor motor
- Illumination: 2 halogen 20 W lamps (BOX-1200, 3 of 20 W)
- Professional type metal filters
- Frontal, push button, speed selector
- Telescopic chimney fitting
- Backdraft shutter
- Reducer for discharge conduit to 120 mm
- Air recirculation through carbon filters (optional/available under request)

**■ Dimensions (mm)**



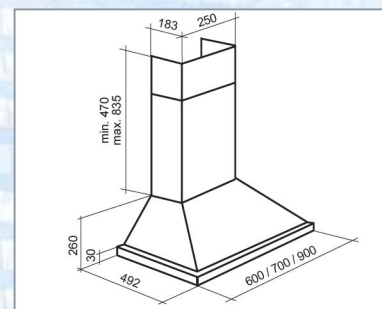
**HA-600 SLIM / HA-700 SLIM / HA-900 SLIM**

**VERSIONS Stainless / White / Black**

HA-600 Slim: 60 cm wide
HA-700 Slim: 70 cm wide
HA-900 Slim: 90 cm wide

- Tangential motor/capacitor motor
- Illumination: 2 lamps of 40 W
- Professional type metal filters
- Frontal, push button, speed selector
- Telescopic chimney
- Backdraft shutter
- Reducer for discharge conduit to 120 mm
- Air recirculation through carbon filters (optional/available under request)
- Chrome tray (optional)

**■ Dimensions (mm)**



**■ Technical characteristics**

Model	Airflow at free discharge (m³/h)	Diameter discharge tube (mm)	Motors	Speed (r.p.m.)	Voltage (V)	Power (W)	Current (A)	Sound pressure level (dB (A))
BOX	525	150	1	3	230	205	0,75	65
HA SLIM	700	150	1	3	230	210	0,9	58

DECORATIVE

Campanas y grupos para cocinas