

FK-2000PL

Maintenance

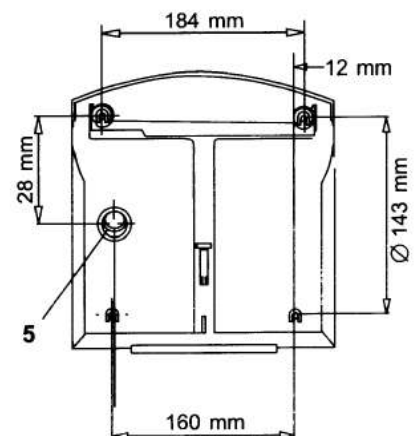
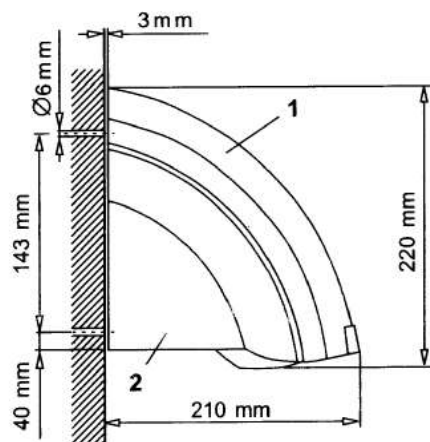
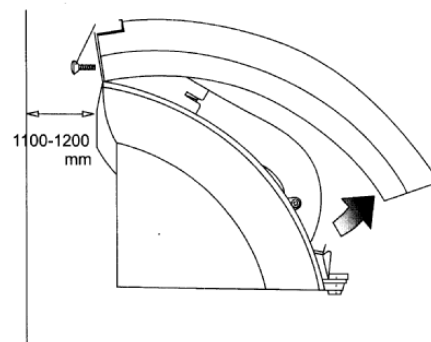
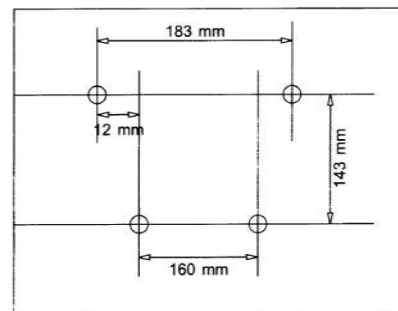
1. Never dig the wind window of dryer with finger to avoid any damages.
2. Cut off the power supply first before daily maintenance, then wipe the shell with soft cloth.
3. Don't drop water or any other liquid into the dryer body to avoid circuit damage.
4. Not disassemble or repair the hand dryer except a professional.

Installation steps

1. Installation drawing
2. First install the main body
 - Open the shell.
 - Select suitable location, then drill holes.
 - Place four plastic expansion screws & fix the main body with four screws
 - Put the shell onto the main body carefully.
 - Put two screws into the bottom position of the dryer & tighten with a screwdriver.

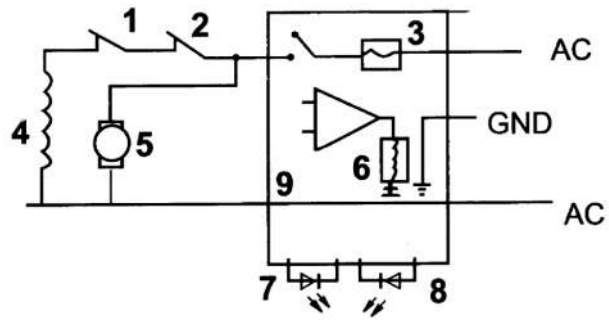
Note:

- Distance from ground: 1300mm
- The dryer must be mound on the firm wall.



Wiring diagram

1. Metal slice
2. Protection equipment
3. Fuse
4. Fever heat
5. Electromotor
6. & 7. Radio tube
7. 8. Circuitry board



Specifications

Model	FK-2000PL
Power supply	AC 220V / 50Hz
Heating power	2000W
Temperature of over heat protection	60°C±20°C
Sensing distance	14±4cm
Delay time of on/off switch	3±1s
Dimension	240 x 220 x 210mm
Fan Speed	≥10m/s
Duration	60±10s
Protection degree	II