

User Manual for Dehumidifier

Thanks for choosing and we highly recommend you to have a careful reading of the instructions before using the devices. It will provide you with necessary information for proper use and maintenance.

Pictures inside are for reference only, details shall be in accordant with final product.

CONTENTS

01. IMPORTANT NOTICE.....	1
02. MATTERS NEED ATTENTION	2~3
03. APPEARANCE AND STRUCTURE	4
04. FUNCTION OF THE BUTTON.....	4~8
05. OPERATING INSTRUCTIONS.....	8~10
06. ELECTRIC SCHEMATIC DIAGRAM	10
07. MAINTAINING	11~12
08 DEVICE INSTALLATION	12
09. TECHNICAL SPECIFICATION	13
10. ERROR CODE EXPLANATION	13
11. TROUBLESHOOTING.....	14
12. WARRANTY POLICY.....	15

1. IMPORTANT NOTICE

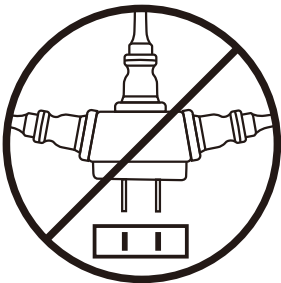
- This appliance is not intended for use by persons (including children) with reduced physical, sensory or mental capabilities, or lack of experience and knowledge, unless they have been given supervision or instruction concerning use of the appliance by a person responsible for their safety
 - Children shall not play with the appliance.
 - If the supply cord is damaged, it must be replaced by the manufacture, its service agent or similiary qualified presons in order to avoid a hazard.
 - Appliance can not be used in vehicles or on board hips or aircraft.
 - This appliance is not intended to be use locations where special conditions prevail, such as the presence of corrosive or explosive atmosphere (dust, vapour or gas) .
 - Appliance working condition :5-36°C (41–96. 8°F),RH 10-80%
 - Do not cover the appliances intake or outlet grilles.
 - For indoor use only.
 - Not suitable for use in cabinet, closet, boats, caravans or similar locations.
 - Leave the unit to stand for one hour before connecting to the mains supply after transport or when it has been tilted (e.g. during cleaning).
 - Do not obstruct the air intakes and exhausts.
 - The mains supply must conform to the specification shown on the rating plate at the back of the unit.
 - Avoid overloading circuits, which is caused by using more electrical amps than your wiring can support. Overloading electrical wires can cause excessive heat and electrical fires.
 - Avoid the appliance from splash.
 - Examine the cord carefully. Make sure that it is not punctured or frayed. Inspect the plug to ensure that the prongs are secure and the plastic surrounding it is not cracked.
 - Avoid running cords under carpets and other areas where you cannot regularly check their condition.
 - Avoid over-twisting, -coiling, -pulling the power cord, never use nylon or iron wire to tide the power cord.
 - Don't use bug sprays or other flammable cleaners on the unit.
 - Never pour or spray water over the unit.
- Cleaning and user maintenance shall not be made by children without supervision.
- **STAY ALERT!** Watch what you are doing and use common sense. Do not use the appliance when you are tired, distracted or under the influence of drugs, alcohol or medication causing diminished control.
 - Only a licensed professional is allowed to dismantle or modify the appliance.
 - Suggest to send the appliance for professional maintenance periodically.

2 MATTERS NEED ATTENTION

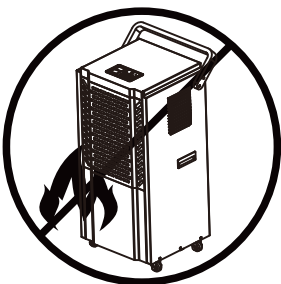
This section describes important aspects of safety matters to prevent personal injury or property damage to users and others. Please read the text on the basis of fully understanding the following contents (logo, icon), and be sure to follow the safety precautions listed.



When cleaning, be sure to turn off the unit and disconnect from power source.
The internal rotor rotates at high speed and may cause injury. Prevent accidental electric leakage and cause electric shock.
Please clean the air filter frequently
Contamination of the air filter screen may result in reduced dehumidification, reduced comfort and increased power consumption.



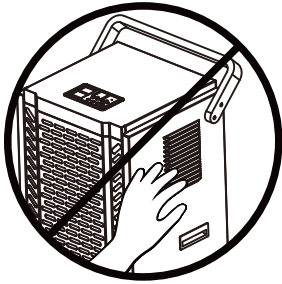
It is forbidden to replace the power cord without authorization, or connect the power cable in the middle and other appliances in parallel.
Unauthorized replacement, mid-way connection, overload use may cause electric shock or fire. If the power cord is damaged, please entrust your local dealer or service outlet for repair.
Unauthorized disassembly, modification, repair or cleaning of internal components is prohibited.



It is forbidden to store flammable and explosive gases in the place where the dehumidifier is used.
Leaks of flammable and explosive gases collect around the components and may cause accidental ignition.
Do not place the dehumidifier near a heat source as this may cause deformation or fire.



Do not operate the dehumidifier with wet hands.
Contact with water inside the dehumidifier may cause leakage, and wet operation may cause electric shock.
Do not flush the dehumidifier directly with water. Do not place the dehumidifier near water, as this may cause water to splash into the machine, causing leakage or short circuits.



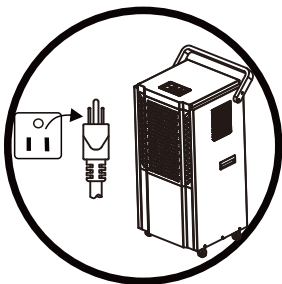
Do not put your hand into the air inlet, do not climb or sit on the dehumidifier. This can cause the device to deform or cause a fire.



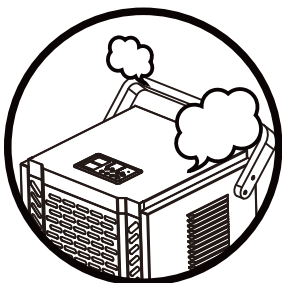
In thunderstorms, the power must be disconnected. Failure to disconnect the power supply may result in lightning strikes and damage to the dehumidifier.



Place the dehumidifier on a stable level surface. If the ground is not flat, it may affect the use of the dehumidifier. Never throw or place anything inside the dehumidifier.

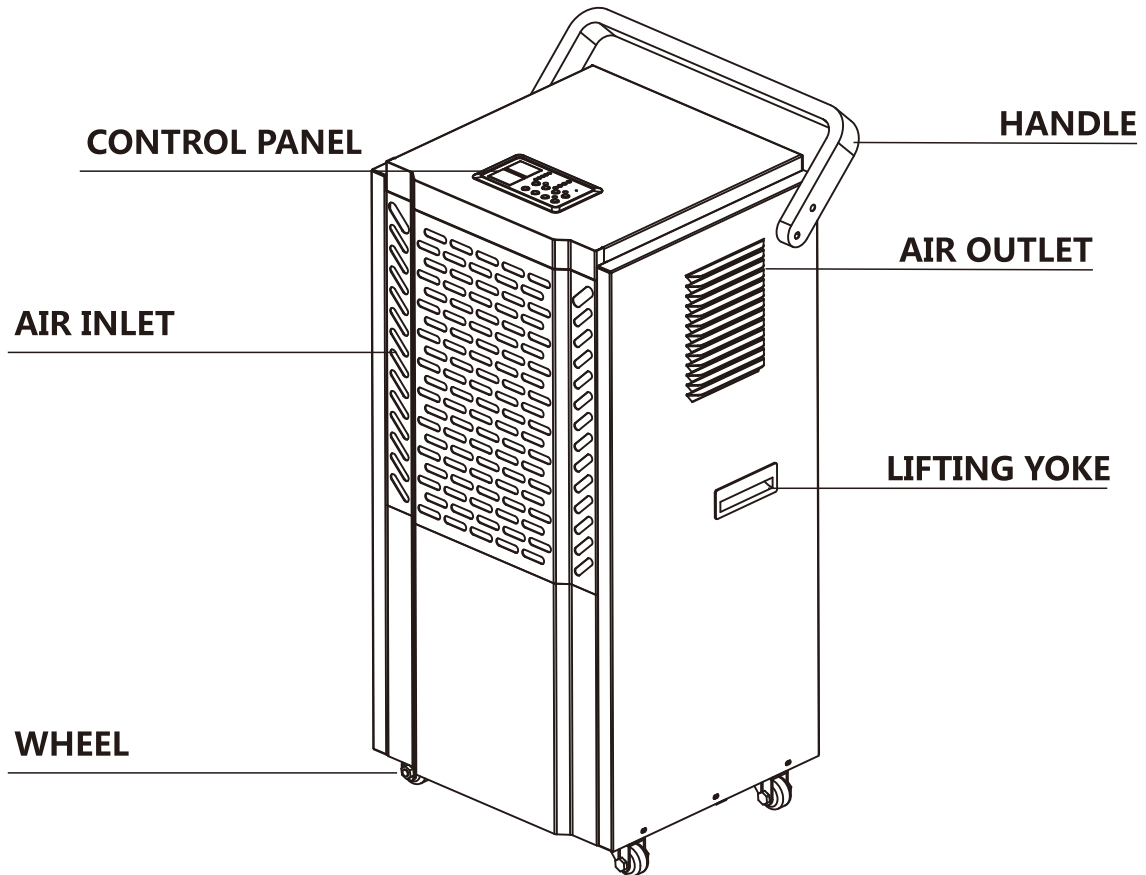


Don't disconnected dehumidifier directly from the power source because it may result in electric shock, fire, etc. Always use the control panel to turn off the dehumidifier. when not in use for a long time shall disconnected the dehumidifier from the power source because dust accumulation may cause leakage, loss, heat, fire, etc.

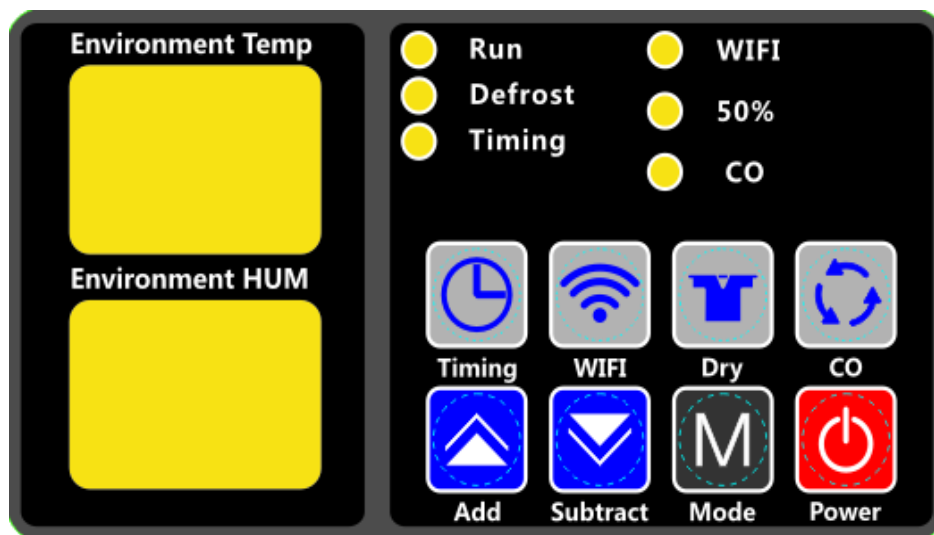


When an abnormal phenomenon (such as a burnt smell) occurs, the operation must be stopped and the power supply turned off. Continued use may result in malfunction, electric shock or fire. Please entrust your local dealer or service outlet for repairs.

3 APPEARANCE AND STRUCTURE



4 FUNCTION OF THE BUTTON



4.1 OPERATION

On/Off



Press "Power"
Machine will beep.
Machine start to work.



The LCD shows the current
temperature and humidity

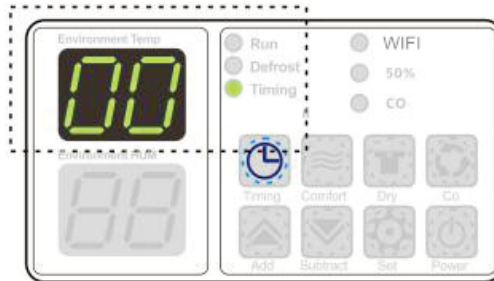


Press again
Shut down the machine

Timing Mode



Press "timing",
Machine will beep.



Indicates light on, The set value will flicking.
(It will stop flicking and back to ambient humidification
after stop operation for 6secs)

When Power on,
timing set for switch off;
When Power off,
timing set for switch on.

WIFI Mode



Press " WIFI "
Machine will beep.



Enter the WIFI Mode.
Indicates(WIFI) light on.

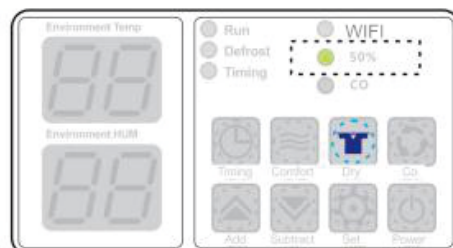
In some countries, the WIFI function
is not yet available.

If the network distribution is successful,
the indicator light will steady on.

Dry Mode



Press "Dry"
Machine will beep.



Enter the Dry Mode.
Indicates(50%) light on.

1. When you press "Add" or "Subtract", it will switch to normal mode.
2. You can press other Mode instead, like Comfort Mode, CO Mode.....

CO Mode



Press "CO"
Machine will beep.



Enter the Dry Mode.
Indicates(CO) light on.

1. When you press "Add" or "Subtract", it will switch to normal mode.
2. You can press other Mode instead, like Comfort Mode, CO Mode.....

Add Mode



Press "Add",
Machine will beep
The set value increase 1%RH

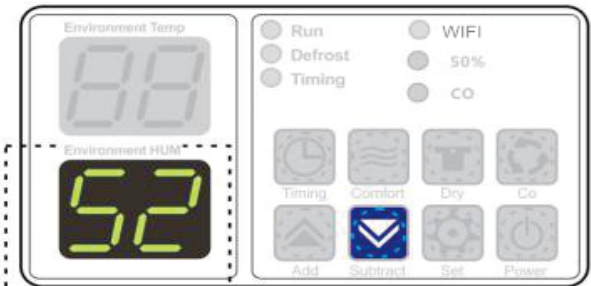


The set value will flicking It will stop flicking and back to ambient humidication after stop operation for 6secs

Subtract Mode



Press "Subtract",
Machine achine will beep
The set value decrease 1

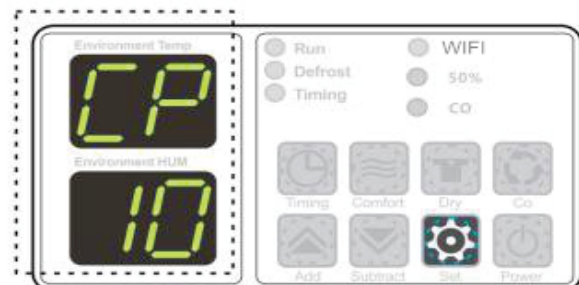


The set value will flicking It will stop flicking and back to ambient humidication after stop operation for 6secs

Set Mode



Press "Set " for 10 seconds,
Enter to the
Internal parameter modification mode



Display shows the setting rate

SYMBOL	SET PROJECT	SET RANGE	FALSE
<i>HL</i>	Stop condition humidity return value	1~40	3
<i>HH</i>	Start condition humidity return value	1~40	3
<i>HP</i>	Environmental HUM correction	0~20	10
<i>CP</i>	Environmental TEM correction	0~20	10

Setting method: Press and hold the setting button for 10 seconds to enter the internal parameter setting mode. The upper display window displays "CP". At this time, other items can be selected by the plus or minus key. When you have selected the item you want to set, press the SET button to confirm the item. At this time, the value of the lower display window is shining, and the parameter value can be modified by adding a key or a decrease key. Press the SET button again to confirm the parameters and return to the previous level to continue selecting other items. After entering the parameter, if it is not set for more than 5 seconds, it will automatically exit the setting mode and return to the normal temperature and humidity display state.

Restore factory settings: In the shutdown state, long press the minus button for 5 seconds, when the screen displays "01-" character, the factory settings are successfully restored.

If there is a difference between the ambient temperature and the ambient humidity on the display and the actual value, you can correct it by setting the CP/HP setting.

4.2 FEATURES:

1. If the set humidity is higher than the current ambient humidity, the dehumidifier will enter the "wet control state" and will not run.
2. When entering the dehumidification mode, the fan is turned on for 5 seconds to start the compressor; when the dehumidifier stops working, the dehumidifier will first turn off the compressor, and then turn off the fan after 3 minutes.
3. After the compressor is turned off, it takes 3 minutes to restart. When the compressor is running for 24 hours, the system will automatically resume after 1 hour of forced stop.
4. When running at a lower temperature, the machine will automatically detect the temperature of the system. When the defrosting temperature is reached, the dehumidifier will automatically stop and defrosting. At this time, the "show pattern" will light up and the "defrosting pattern" will shine. After the defrosting, the dehumidifier starts automatically.

5. The system has a memory function, which can restore the previous running state after power failure, and perform regular power on or timed shutdown.
6. Humidity control operating range: 10%~90%.
7. If the dehumidifier is not used for a long time, please remove the power cord or power off.
8. The system has a memory function and can be operated before power-off within 72 hours after power failure. (Note: When the person leaves the scene, please turn off the power)

5 OPERATING INSTRUCTIONS

1 Press the power button to turn on the power, set the humidity to less than 3% RH of the current ambient humidity, and the dehumidifier works. If the humidity is set to be greater than the current ambient humidity of 3% RH, it will stop work.

5.1 DEHUMIDIFYING RUNNING

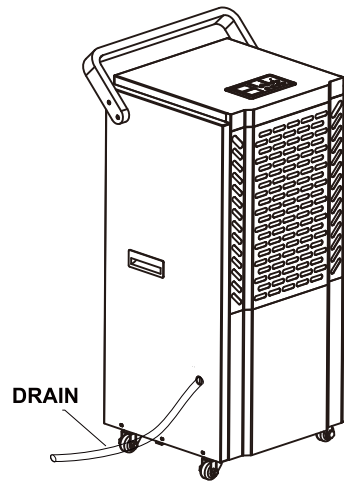
1. When the compressor has passed the protection for 3 minutes and the indoor humidity \geq set humidity + 3% RH, the compressor will work again.
2. When the indoor humidity < set humidity, the compressor will turn off.
3. Setting humidity < indoor humidity < set humidity + 3% RH to keep the original compressor working.
4. The compressor stops the fan if it has not been operated for three minutes after the humidity has dropped.
6. Defrost function:

When the dehumidifier is running at a lower temperature, the machine will automatically detect the system temperature. When the temperature reaches the defrosting condition, the machine will automatically enter the defrost mode. At this time, the defrosting indicator lights up, the compressor stops working, and the fan continues to run. When the defrosting is over, the dehumidifier will automatically resume the original working state.

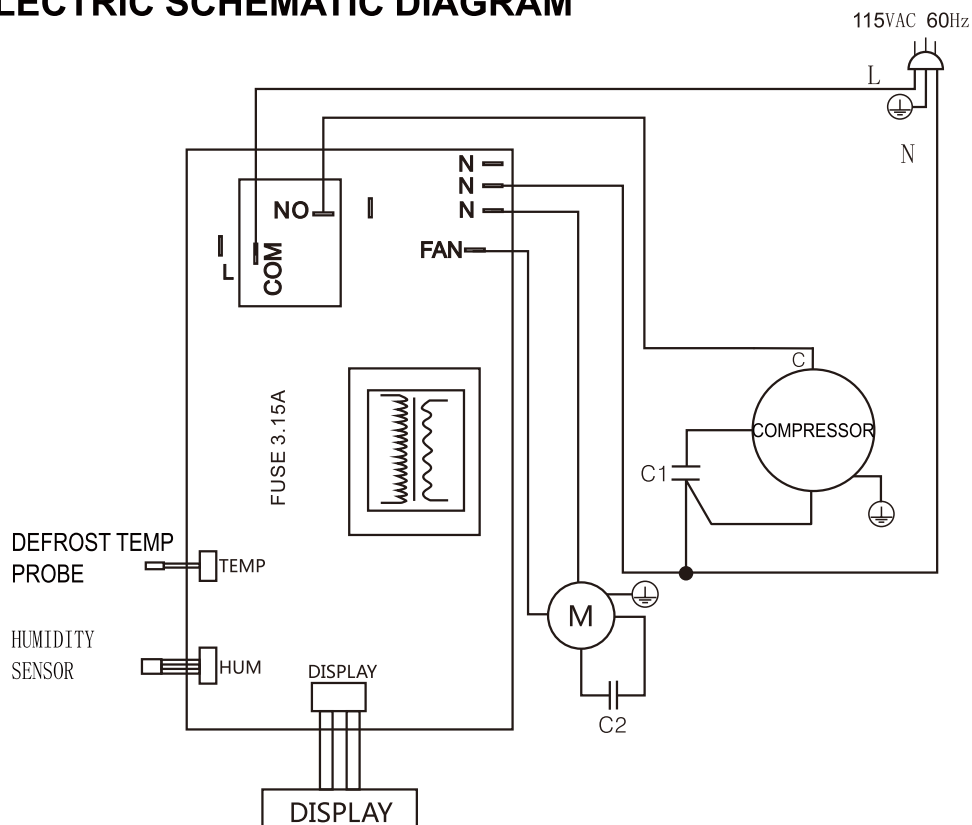
5.2 DRAIN INDICATOR

Continuous Drain

This product has a continuous drain hole that is connected by a plastic tube (16mm inside) through which water can be drained. When using a water pipe, do not immerse the water outlet in the water to prevent the pipe from being too long or the pressure is formed in the pipe when the water outlet is blocked. The water flow is not smooth, resulting in water leakage.



6 ELECTRIC SCHEMATIC DIAGRAM



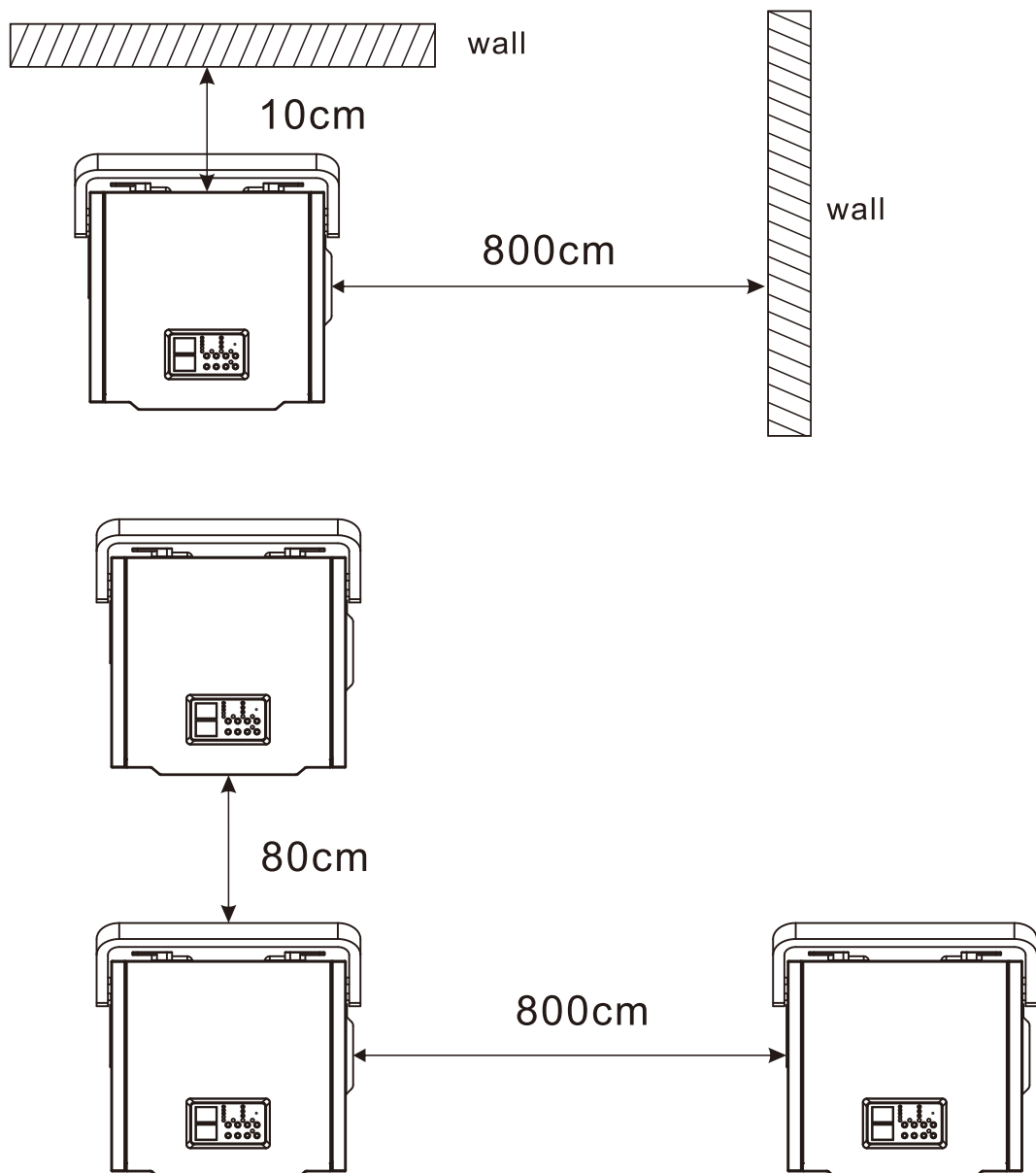
Fuse on PCB:model: 50T or 5T, Rating :3.15A, AC 250V

Unit connect the power by the plug.

Never use the plug to start and stop the unit. Always use switch on the control panel.
Before moving the unit, turn off all controls, then unplug.

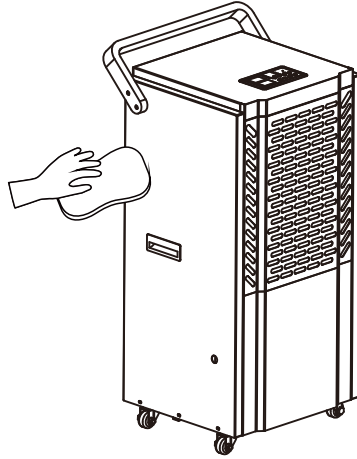
Do not leave appliance when plugged in, unplug from outlet when not in use and before servicing. Connect to a grounded outlet only.

Dimensions of space

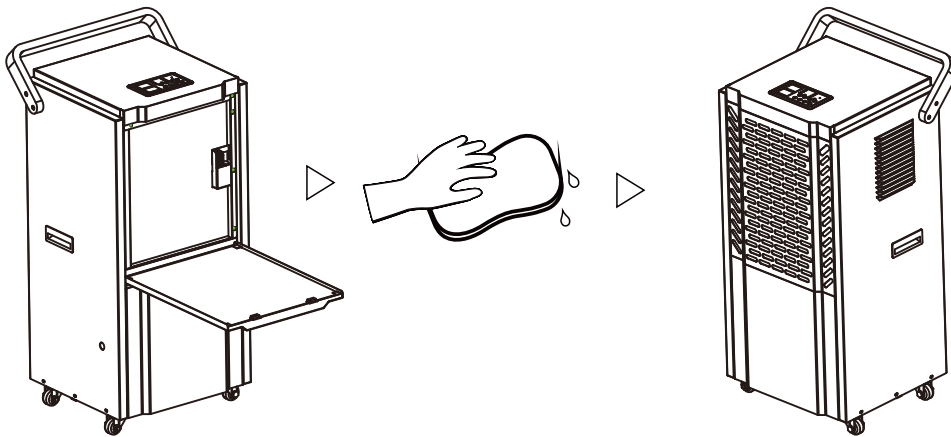


7 MAINTAINING

7.1 Cleaning



Wash the cleaning cloth in clean water, wring it out, and gently wipe the surface of the machine.



Remarks:

Clean the filter screen twice a month to ensure a healthy environment and energy saving.

Inspection and Maintenance		
	1~3 months	12 months
Filter	Clean the filter	
Compressor	Check if the compressor is normal and the vibration is normal.	Check the compressor cable for signs of looseness, aging, and damage.
Heat Exchanger	Clean the duct and sundries.	
Seal	Check for signs of damage or displacement. If it is worn or damaged, it should be replaced in time.	Check for signs of damage or displacement. If it is worn or damaged, it should be replaced in time.
Temp. Control		Check if all external temperature and humidity probes are working properly or not.

8 DEVICE INSTALLATION

The dehumidifier can be installed in many occasions and can be customized according to the needs of the user.

8.1 Electrical Connection

Electrical connections must be performed by qualified personnel in accordance with the electrical standards of the location of the equipment.

The equipment is installed and configured in accordance with the voltage and frequency indicated on the equipment nameplate.

8.1 The dehumidifier cannot be operated at voltages and frequencies outside the manufacturing range.

8.2 Before switching on the main power supply, the AC power should be checked to ensure that the supplied voltage fluctuation range does not exceed $\pm 10\%$ of the voltage and frequency indicated by the equipment. This check is especially important for voltage fluctuations that can occur in high load situations.

8.3 The dehumidifier must be grounded and a power disconnect switch set to ensure that the unit is powered off during inspection and service.

9 ERROR CODE EXPLANTION

Fault Code	The failure	How to do with it?
E1	Temperature sensor breakdown	To replace with new temperature sensor.
E2	Humidity sensor breakdown	To replace with new humidity sensor.
E3	Phase sequence or phase loss protection (exclude single phase)	Swap phase sequence
E5	High voltage protection	Check refrigerant pressure
E6	Low voltage protection	Check refrigerant pressure

10 TROUBLESHOOTING

Please do not worry if you meet following problems in the use of dehumidifier. When confirmed as failure, timely contact for repairing.

Problems	Phenomenon/Reason	Solutions
Dehumidifier does not work.	<ol style="list-style-type: none"> 1. Could be a power outage. 2. The power switch is not on. 3. Maybe the fuse has blown out. 4. It's not the definite starting up time. 	<ol style="list-style-type: none"> 1. Please wait for power supply. 2. Turn on the power switch. 3. Change the fuse. 4. Wait or cancel the time setting.
Unsatisfied dehumidification	<ol style="list-style-type: none"> 1. The humidity setting is inappropriate. 2. The front and back of the dehumidifier may be blocked. 3. Dehumidification time may be not enough. 4. Door and window may be open. 5. The temperature indoor is lower than 5C° or higher than 36C°. 	<ol style="list-style-type: none"> 1. Set appropriate humidity. 2. Clear the obstructions. 3. Keep waiting. 4. Close door and window. 5. Please use the machine in the temperature of 5-36C°.
Turn on immediately after shutdown, dehumidifier does not dehumidify.	3 minutes delay protection of compressor.	The machine will work after 3 minutes.
Water leakage	<ol style="list-style-type: none"> 1. Drain connection is slack. 2. The drainage system is blocked 	<ol style="list-style-type: none"> 1. Connect the drain. 2. Clean the stopper.
Frost formation.	There is frost on the surface of dehumidifier.	It's normal, the machine can defrost automatically.
The dehumidifier has a slight wobble.	A slight wobble occurs when turn on/off dehumidifier.	It's normal phenomenon.

11 WARRANTY POLICY

Product Name	Dehumidifier
Item No/Delivery Date	See nameplate
Place of origin	
Manufacturer	

Warranty terms

1. According to the terms of this warranty content, use this product under normal condition within the warranty period, in the event of failure, you can use this warranty card and invoice (copy) to enjoy free maintenance services in the service center.
2. During the warranty period, paid maintenance services will be implemented in the following circumstances:
 - ① Cannot show the effective product warranty card.
 - ② Omission, alteration and no sales company name on warranty card.
 - ③ The fault and damage caused by force majeure.
 - ④ Failure and damage caused by transportation, loading and unloading.
 - ⑤ Failure and damage caused by not operating according to the operation manual.
 - ⑥ Failure or damage caused by the removal, repair or modification of the product without the authorization of the manufacturer.
 - ⑦ The failure and damage caused by corrosion gas and dust of the using environment.
3. When the product needs warranty, please send the machine, the warranty card and purchase invoice (copy) to the designated service center or maintenance department. The shipping fee shall be borne by the user.
4. Please keep the warranty card properly, there will not be another one if it's lost.

[Warranty time]

The customer shall enjoy a year warranty service free of charge from the date of purchase.

Product Warranty Return Receipt

Customer Name/Seal			
Customer Address		Tel	
Item No		Code	
Purchase Date		Purchase Chanel	

