

COOLING / HEATING FANS

METEOR Series



NEW



METEOR NN



METEOR EN



METEOR EC

■ Applications

The Meteor type NN and EN fans are specifically designed for domestic or light commercial air movement applications. Both models are suitable for floor, wall (model Meteor-NN) or table mounted operation and offer a powerful and quiet variable airflow. The fan speed can be controlled via an integrated speed control.

The Meteor series of fans are manufactured from high quality UV resistant gloss white plastic that enables them to be seamlessly integrated into any required interior environment.

■ Description

The Meteor Series of fans consists of three model types.

Meteor-NN

The Meteor-N axial fan incorporates a three position speed control selection switch along with an integrated automatically variable rotation diffuser grille. The diffuser grille can be fixed in position or selected to oscillate through 360° providing a better spread of airflow throughout the surrounding environment. In addition the Meteor-NN model includes a robust mounting foot that can be inclined in five different positions permitting both flexible floor or wall mounting installation.

Meteor-EN

The Meteor-EN model offers similar features to that of the Meteor-NN. However the Meteor-EN includes a fixed position mounting foot and a two oscillation position diffuser grille offering fixed or 360° rotation.

Meteor-EC

The meteor EC model offers similar functionality to that of the Meteor-E model and in addition includes a 2.2kW thermostatically controlled integrated electric heater function. The fan, and fan with heater functions can be operated independently enabling the Meteor-EC model to be used in both the summer and winter months as required.

■ Technical characteristics

Model Type	Supply voltage (V)	Maximum absorbed power (W)	Number of speeds	Dimensions (LxDxH) (mm)	Position
METEOR NN	230	55	3	405x200x520	Inclinable
METEOR EN	230	48	3	380x180x440	Fixed
METEOR EC	230	40 Fan / 2200 Heating	3	435x205x432	Fixed

DESK FANS

ARTIC Series



ARTIC



ARTIC-300P



ARTIC-400C

Description

The Artic Desk Fan series are specifically designed for domestic or light commercial personal air movement or cooling applications.

All Artic fans are manufactured from high quality, UV resistant, gloss ivory colour plastic and offer a powerful, quiet, simple and reliable solution for desktop or personal space cooling applications.

Applications

The standard Artic-250, 300 and 400 models are suitable for desktop mounted operation. All models include a two or three fan speed control regulation via an integrated speed control switch and an oscillating fan head feature to provide a wider and more even airflow spread to the surrounding environment. Model Artic-400C offers the same functionality as the standard models and in addition includes an adjustable height pedestal (1000 – 1380mm) for remote mounted operation.

Model Artic-300P has been specifically designed for wall mounted remote operation and includes an integrated 8 hour programmer for automatic operation. All the

functions on the Artic-300P model, as per the standard Artic models, can be controlled manually or through a hand-held remote control module.

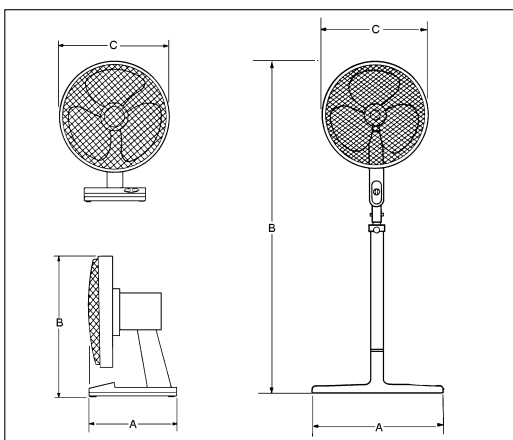
All Artic desk fans are manufactured from high grade tough injection moulded plastic and as standard are fitted with a safety finger guard which can be removed without for cleaning or maintenance.

All models include a shaded pole motor suitable for connection to single phase, 230V 50Hz electrical supplies. Model 250 includes two speed fan control regulation and models 300 and 400 include motors with three speed regulation. All models include Class II electrical insulation.

Technical characteristics

Model Type	Propeller diameter (mm)	Supply voltage (V) at 50 Hz	Maximum absorbed power (W)	Number of speeds	Sound pressure level (dB(A))	Maximum airflow (m ³ /h)	Weight (kg)
Artic-250	250	230	35	2	36	1250	1.8
Artic-300	300	230	45	3	39	2200	2.7
Artic-400	400	230	60	2	41	2900	3.2
Artic-300P	300	230	45	3	39	2200	2.7
Artic-400C	400	230	60	3	41	2900	5.7

Dimensions (mm)



Model Type	Impeller Diameter (mm)	Height (mm)
ARTIC-250	250	415
ARTIC-300	300	480
ARTIC-400	400	540
ARTIC-300P	300	415
ARTIC-400C	400	1080 to 1380

CEILING FANS

Series HTB, HTS, HTD & HTL



HTB-N Standard



HTS-Standard



HTS-CR Standard

NEW

Description

The S&P range of ceiling fans comprise of three distinct model types, including a standard models (HTB & HTS), a decorative model (with wooden blades, HTD) and a decorative model with integrated light (HTL). All models offer very quiet operation and are easy and quick to install.

Construction

Standard Model HTS

The standard model is manufactured from sheet steel and offered with a tough epoxy-polyester white colour paint or polished chromed finish (type CR). All HTS models are supplied as standard with a three position speed controller which can be mounted remotely from the fan offering High, Medium and Low fan speeds.

Decorative Range HTD

The decorative HTD range incorporates a metallic gold coloured fan casing and shaft assembly with a variety of wooden blades designs. All decorative HTD (&HTL) models include a three speed motor which is controlled via an integrated pull cord offering

High, Medium and Low fan speeds.

Decorative Range with Light HTL

In addition to the standard decorative models the HTL options incorporate an integrated light fitting. Model HTL-1301G includes four independent spot lights housed in the centre of the fan motor casing. The lights can be independently positioned and using an integrated pull cord. Model HTL-130 4F includes a single centre mounted light with opaque domed shade to provide a soft diffused light. Both models use standard fittings for easy and convenient bulb replacement when necessary.

Motors

All models incorporate the following standard electrical specifications:

- Single Phase - 230V 50Hz
- Forward and reverse operation.
- Speed controllable
- Sealed For Life, ball bearing assemblies.
- IP44 protection
- Class B insulation
- Humidity protection
- Safety Thermal Overload Protection

If required (to special order) models can be supplied with Class F, IP54 motors.

Applications

In the summer :

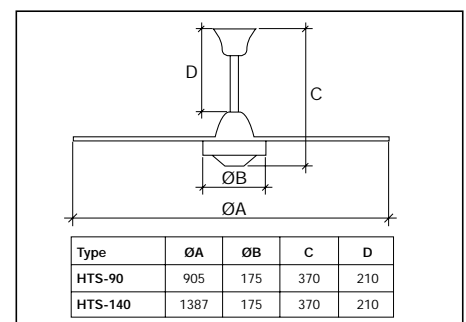
- They create a fresh air flow in rooms for domestic, commercial or industrial use.

In the winter:

- They provide hot air transfer from ceilings back down to floor areas. The recovery of this "lost" warm air saves energy and provides an overall feeling of comfort to the surrounding area.

All models are supplied as standard with a 210 mm ceiling drop rod. Increased height rods are available through official S&P distribution outlets.

Dimensions Standard (mm)



Technical characteristics

Model Type	Colour drop rod	Height (mm)	Diameter (Ø mm)	Maximum speed (r.p.m.)	Maximum absorbed power (W)	Maximum air volume (m ³ /h)	Sound pressure level (dB(A))	Weight (kg)
HTB-75 N	White	210	800	280	55	6400	45	4,3
HTB-90 N	White	210	1000	240	60	8650	46	4,5
HTB-150 N	White	210	1405	220	70	12600	47	8,2
HTS-90 Standard	White	210	905	380	45	4000	45	5,2
HTS-140 Standard	White	210	1387	226	50	6000	46	5,5
HTS-90 CR Standard	Cromado	210	905	380	45	4000	45	5,2
HTS-140 CR Standard	Cromado	210	1387	226	50	6000	46	5,5



HTD-Decorated



HTL-Decorated



HTL-Decorated

■ Technical characteristics (Decorated)

Model Type	Height: drop rod (mm)	Diameter (Ø mm)	Maximum speed (r.p.m.)	Maximum absorbed power (W)	Maximum airflow (m ³ /h)	Sound pressure level (dB(A))	Weight (kg)
HTD-130 B without light	210 standard	1300	200	55	6000	46	5,5
HTD-130 MR without light		1300	200	55	6000	46	5,5
HTL-130 4F with light		1300	200	60	6000	46	7
HTL-130 1G with light		1300	200	60	6000	46	7,5

■ Dimensions (mm)

Type	ØA	ØB	C	D
HTB-75 N	800	175	395	210
HTB-90 N	1000	175	395	210
HTB-150 N	1405	195	410	210

Type	ØA	ØB	C	D
HTD-130 B	1303	280	395	156
HTD-130 MR	1303	280	395	156

Type	ØA	ØB	C	D
HTL-130 1G	1320	310	542	156

Type	ØA	ØB	C	D
HTL-130 4F	1313	280	542	156

■ Blade options: Models HTD & HTL



Mod. HTD-130 B
White blades



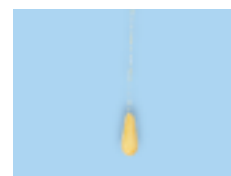
Mod. HTD-130 MR
Reversible blades
Dark/light wood



Mod. HTD-130 4F
Reversible blades
White/light wood



Mod. HTD-130 1G
Reversible blades
White/dark wood



Pull cord operation
for light models

■ Accessories



Three speed control accessory supplied as standard with HTS and HTB models.