

FLEXHOOD

MODULAR EXTRACTION HOOD

The FlexHood is a modular extraction hood, which is built of separate components. It can be used for several industrial processes, such as (manual or robotic) welding, grinding and cutting.

The FlexHood is placed over the working area and has to be connected to an external extraction/filtration system. The bottom roof panels act as a deflection plate, directing the airflow to the outer edge of the hood or hood compartment. The extracted air exits the hood through one or two connection flanges located on top.

The integrated suspension eyes enable ceiling mounting/hanging of the hood.



Shown: FlexHood with welding strips

SPECIFICATIONS

| ■ Physical dimensions and properties | |
|--|---|
| Hood dimensions | from 1 x 1,5 m to 5,5 x 5,5 m in steps of 0,5 m; refer to attachments |
| FlexHood: | |
| • single compartment | • 1 x 1,5 – 2 x 5,5 m |
| FlexHood XL: | |
| • double compartment | • 2,5 x 2,5 – 4 x 5,5 m |
| • triple compartment | • 4,5 x 2,5 – 5,5 x 5,5 m |
| Material | refer to separate product data sheets |
| Colour | refer to separate product data sheets |
| Weight (net) | refer to attachments |
| ■ Performance | |
| Recommended extraction capacity *) | 500-800 m ³ /h per square meter (27-44 CFM per square ft) of hood |
| Recommended air velocity in connected duct | 10-12 m/s (1,950-2,400 FPM) |
| Pressure loss over hood | refer to Table 1 |
| Sound level | refer to Table 1 |
| ■ Available options | |
| Welding strips *) (recommended option) | <ul style="list-style-type: none"> • dark green; non-transparent • orange-red; semi-transparent • yellow-orange; transparent • clear; transparent |
| Strip bracket set | to mount welding strips |
| Leg 2/2,5/3/3,5 m | max. 4 legs per hood |
| Corner reinforcement set | for standing hoods XL |
| Floor mounting set | set of 4 floor mounting plates |
| Lighting fixture | |
| Custom-made hood | <ul style="list-style-type: none"> • cutting down length • cutting down width |
| ■ Scope of supply | |
| Refer to attachments | |

| ■ Mounting | |
|-----------------------------|---|
| Mounting possibilities: | |
| • chains | • chain links min. 8 mm (to be sourced locally) |
| • legs + floor mounting set | • optionally available |
| • combination of both | • e.g. 2 chains + 2 legs |
| ■ Order information | |
| Article number | not applicable (composed of several article numbers; refer to separate product data sheets) |

*) Extraction capacities higher than 800 m³/h (44 CFM/ft²) are hardly effective against the negative influences of draught. In any case, the use of welding strips with a minimum length of 60 cm (2 ft) is highly recommended. The longer the better but at least long enough to prevent fume from escaping from the hood.

AIRFLOW

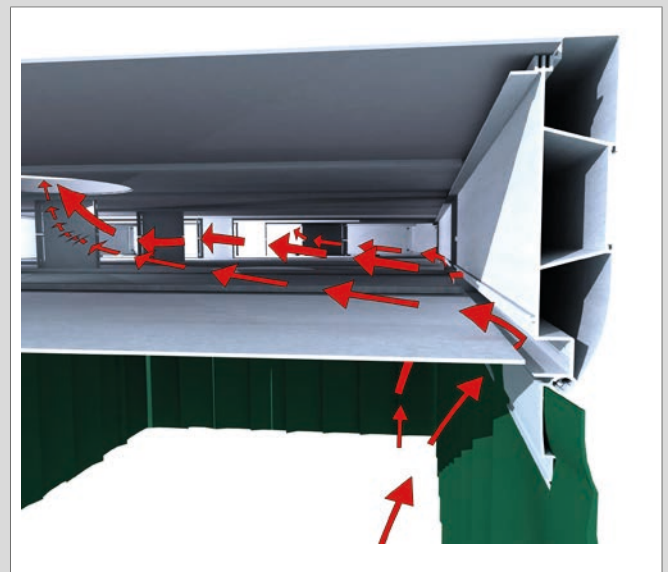
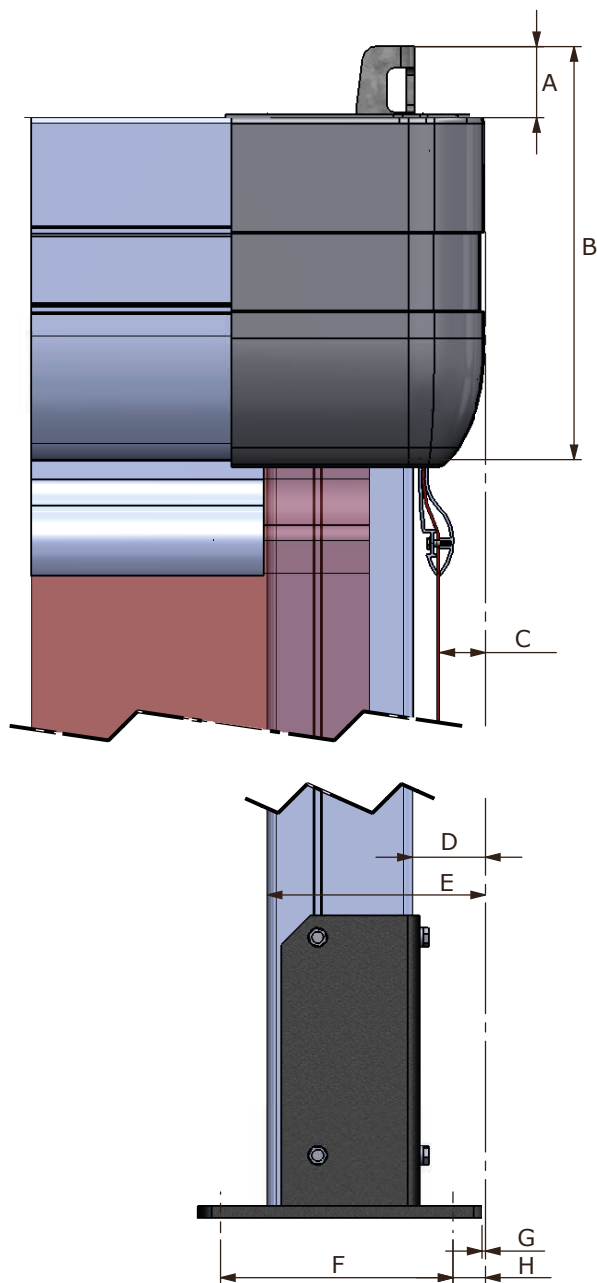


Table 1: Sound level and pressure drop

| m ³ /h/m ² | Sound level hood | | Pressure drop |
|----------------------------------|------------------|----------|---------------|
| | Outside | Inside | |
| 500 | 63 dB(A) | 68 dB(A) | 150 Pa |
| 550 | 64 dB(A) | 69 dB(A) | 150 Pa |
| 600 | 65 dB(A) | 70 dB(A) | 160 Pa |
| 650 | 66 dB(A) | 71 dB(A) | 165 Pa |
| 700 | 68 dB(A) | 73 dB(A) | 180 Pa |
| 750 | 71 dB(A) | 75 dB(A) | 230 Pa |
| 800 | 73 dB(A) | 77 dB(A) | 280 Pa |

DIMENSIONS

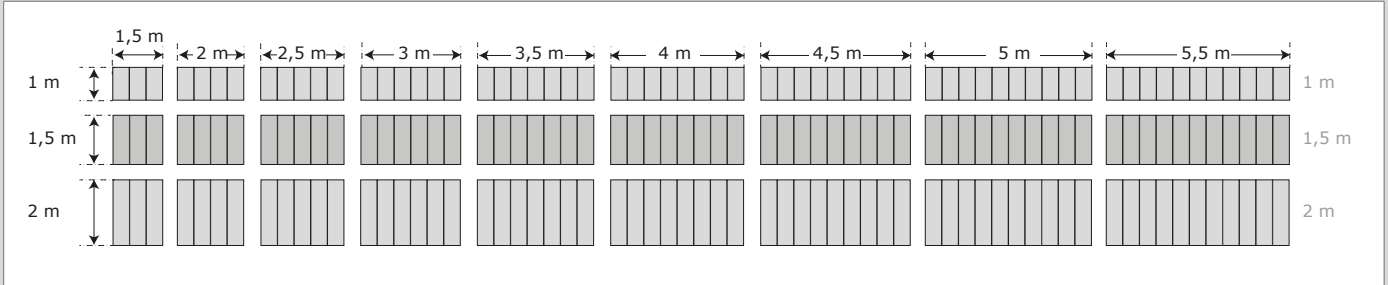


| | mm | inch |
|---|-----|------|
| A | 49 | 1.9 |
| B | 284 | 11.2 |
| C | 31 | 1.2 |
| D | 50 | 2.0 |
| E | 150 | 5.9 |
| F | 160 | 6.3 |
| G | 2 | 0.08 |
| H | 22 | 0.9 |

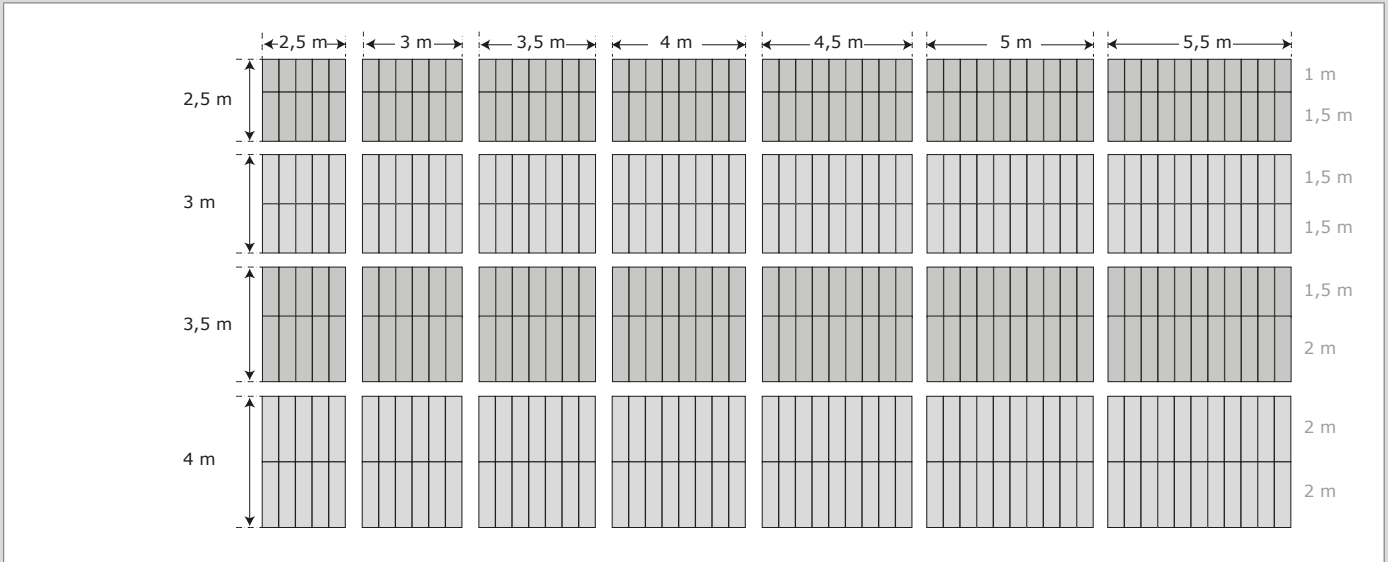
| | |
|------------------|--------------------------|
| Product type | FlexHood |
| Article no. | n.a. |
| Product category | modular extraction hoods |
| Version | 160615/K |

Always check the latest version on www.plymovent.com

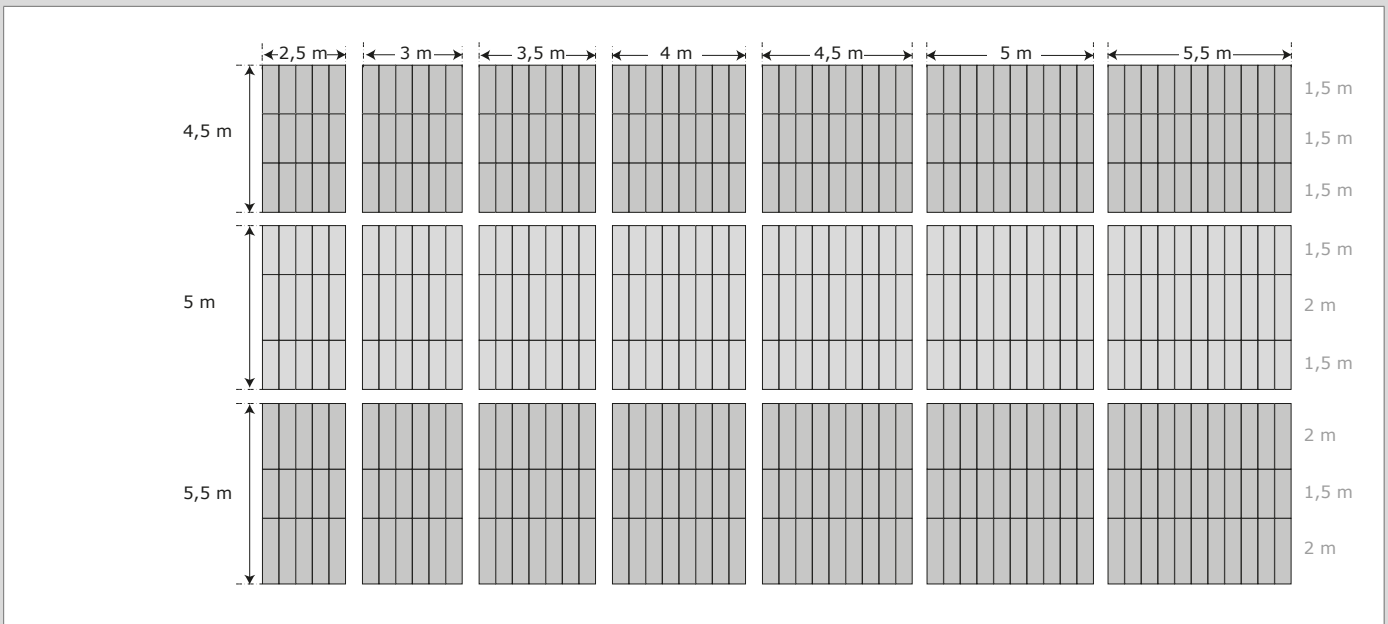
SINGLE COMPARTMENT MODULAR HOODS



DOUBLE COMPARTMENT MODULAR HOODS



TRIPLE COMPARTMENT MODULAR HOODS



SINGLE COMPARTMENT HOODS

HOOD SIZE: 1 X 1,5 M – 1,5 X 3,5 M (SINGLE)

| Nominal size | 1 x 1,5 m | | 1 x 2 m | | 1 x 2,5 m | | 1 x 3 m | | 1 x 3,5 m | |
|---------------------------------|-----------------|-----------|-----------------|------------------------|-----------------|------------------------|-----------------|------------------------|-----------------|-------------------------------|
| Effective size | 1086 x 1586 mm | | 1086 x 2086 mm | | 1086 x 2586 mm | | 1086 x 3086 mm | | 1086 x 3586 mm | |
| Components: | | | | | | | | | | |
| • Main frame profile | 2x | 1 m | 2x | 1 m | 2x | 1 m | 2x | 1 m | 2x | 1 m |
| | 2x | 1,5 m | 2x | 2 m | 2x | 2,5 m | 2x | 3 m | 2x | 3,5 m |
| • Corner set | 2x | set | 2x | set | 2x | set | 2x | set | 2x | set |
| • Corner cover set | 1x | set | 1x | set | 1x | set | 1x | set | 1x | set |
| • Roof panel set (basic) | 1x | set 1 m | 1x | set 1 m | 1x | set 1 m | 1x | set 1 m | 1x | set 1 m |
| • Roof panel set (extension) | | | 1x | set 1 m | 2x | set 1 m | 3x | set 1 m | 1x | set 1 m (1) 1x set 1 m (3) |
| • Connection flange | 1x | Ø 250 mm | 1x | Ø 250 mm | 1x | Ø 250 mm | 2x | Ø 250 mm | 2x | Ø 250 mm |
| • Branding set | 1x | set 6 m | 1x | set 6 m | 1x | set 9 m | | set 9 m | 1x | set 9 m |
| Options: | | | | | | | | | | |
| • Welding strips | # | roll 25 m | # | roll 25 m | # | roll 25 m | # | roll 25 m | # | roll 25 m |
| • Strip bracket set | 1x | set (20) | 1x | set (4) 1x set (20) | 2x | set (4) 1x set (20) | 3x | set (4) 1x set (20) | 4x | set (4) 1x set (20) |
| • Leg 2/2,5/3/3,5 m | 4x | leg | 4x | leg | 4x | leg | 4x | leg | 4x | leg |
| • Floor mounting set | 1x | set | 1x | set | 1x | set | 1x | set | 1x | set |
| • Lighting fixture | 1x | | 1x | | 1x | | 1x | | 1x | |
| Weight (without options) | 56 kg (123 lbs) | | 66 kg (146 lbs) | | 75 kg (165 lbs) | | 85 kg (187 lbs) | | 94 kg (207 lbs) | |

| Nominal size | 1,5 x 1,5 m | | 1,5 x 2 m | | 1,5 x 2,5 m | | 1,5 x 3 m | | 1,5 x 3,5 m | |
|---------------------------------|-----------------|------------------------|-----------------|------------------------|-----------------|------------------------|------------------|------------------------|------------------|-----------------------------------|
| Effective size | 1586 x 1586 mm | | 1586 x 2086 mm | | 1586 x 2586 mm | | 1586 x 3086 mm | | 1586 x 3586 mm | |
| Components: | | | | | | | | | | |
| • Main frame profile | 4x | 1,5 m | 2x | 1,5 m | 2x | 1,5 m | 2x | 1,5 m | 2x | 1,5 m |
| | | | 2x | 2 m | 2x | 2,5 m | 2x | 3 m | 2x | 3,5 m |
| • Corner set | 2x | set | 2x | set | 2x | set | 2x | set | 2x | set |
| • Corner cover set | 1x | set | 1x | set | 1x | set | 1x | set | 1x | set |
| • Roof panel set (basic) | 1x | set 1,5 m | 1x | set 1,5 m | 1x | set 1,5 m | 1x | set 1,5 m | 1x | set 1,5 m |
| • Roof panel set (extension) | | | 1x | set 1,5 m | 2x | set 1,5 m | 3x | set 1,5 m | 1x | set 1,5 m (1) 1x set 1,5 m (3) |
| • Connection flange | 1x | Ø 250 mm | 1x | Ø 315 mm | 1x | Ø 315 mm | 2x | Ø 250 mm | 2x | Ø 250 mm |
| • Branding set | 1x | set 6 m | 1x | set 9 m | 1x | set 9 m | 1x | set 9 m | 1x | set 12 m |
| Options: | | | | | | | | | | |
| • Welding strips | # | roll 25 m | # | roll 25 m | # | roll 25 m | # | roll 25 m | # | roll 25 m |
| • Strip bracket set | 1x | set (4) 1x set (20) | 2x | set (4) 1x set (20) | 3x | set (4) 1x set (20) | 4x | set (4) 1x set (20) | 1x | set (40) |
| • Leg 2/2,5/3/3,5 m | 4x | leg | 4x | leg | 4x | leg | 4x | leg | 4x | leg |
| • Floor mounting set | 1x | set | 1x | set | 1x | set | 1x | set | 1x | set |
| • Lighting fixture | # | | # | | # | | # | | # | |
| Weight (without options) | 67 kg (148 lbs) | | 79 kg (174 lbs) | | 91 kg (201 lbs) | | 104 kg (229 lbs) | | 115 kg (254 lbs) | |

HOOD SIZE: 1 X 4 M – 1,5 X 5,5 M (SINGLE)

| Nominal size | 1 x 4 m | | 1 x 4,5 m | | 1 x 5 m | | 1 x 5,5 m | |
|---------------------------------|------------------|----------------------------|------------------|---------------------|------------------|----------------------------|------------------|----------------------------|
| Effective size | 1086 x 4086 mm | | 1086 x 4586 mm | | 1086 x 5086 mm | | 1086 x 5586 mm | |
| Components: | | | | | | | | |
| • Main frame profile | 2x 2x | 1 m 4 m | 2x 2x | 1 m 4,5 m | 2x 2x | 1 m 5 m | 2x 2x | 1 m 5,5 m |
| • Corner set | 2x | set | 2x | set | 2x | set | 2x | set |
| • Corner cover set | 1x | set | 1x | set | 1x | set | 1x | set |
| • Roof panel set (basic) | 1x | set 1 m | | | | | | |
| • Roof panel set (extension) | 2x 1x | set 1 m (1) set 1 m (3) | 2x | set 1 m (3) | 1x 2x | set 1 m (1) set 1 m (3) | 2x 2x | set 1 m (1) set 1 m (3) |
| • Connection flange | 2x | Ø 250 mm | 2x | Ø 250 mm | 2x | Ø 250 mm | 2x | Ø 250 mm |
| • Branding set | 1x | set 12 m | 1x | set 12 m | 1x 1x | set 6 m set 9 m | 1x 1x | set 6 m set 9 m |
| Options: | | | | | | | | |
| • Welding strips | # | roll 25 m | # | roll 25 m | # | roll 25 m | # | roll 25 m |
| • Strip bracket set | 1x | set (40) | 1x 1x | set (4) set (40) | 2x 1x | set (4) set (40) | 3x 1x | set (4) set (40) |
| • Leg 2/2,5/3/3,5 m | 4x | leg | 4x | leg | 4x | leg | 4x | leg |
| • Floor mounting set | 1x | set | 1x | set | 1x | set | 1x | set |
| • Lighting fixture | # | | # | | # | | # | |
| Weight (without options) | 104 kg (229 lbs) | | 113 kg (249 lbs) | | 122 kg (269 lbs) | | 131 kg (289 lbs) | |

| Nominal size | 1,5 x 4 m | | 1,5 x 4,5 m | | 1,5 x 5 m | | 1,5 x 5,5 m | |
|---------------------------------|------------------|--------------------------------|------------------|---------------------|------------------|--------------------------------|------------------|--------------------------------|
| Effective size | 1586 x 4086 mm | | 1586 x 4586 mm | | 1586 x 5086 mm | | 1586 x 5586 mm | |
| Components: | | | | | | | | |
| • Main frame profile | 2x 2x | 1,5 m 4 m | 2x 2x | 1,5 m 4,5 m | 2x 2x | 1,5 m 5 m | 2x 2x | 1,5 m 5,5 m |
| • Corner set | 2x | set | 2x | set | 2x | set | 2x | set |
| • Corner cover set | 1x | set | 1x | set | 1x | set | 1x | set |
| • Roof panel set (basic) | 1x | set 1,5 m | 1x | set 1,5 m | 1x | set 1,5 m | 1x | set 1,5 m |
| • Roof panel set (extension) | 2x 1x | set 1,5 m (1) set 1,5 m (3) | 2x | set 1,5 m (3) | 1x 2x | set 1,5 m (1) set 1,5 m (3) | 2x 2x | set 1,5 m (1) set 1,5 m (3) |
| • Connection flange | 2x | Ø 315 mm | 2x | Ø 315 mm | 2x | Ø 315 mm | 2x | Ø 315 mm |
| • Branding set | 1x | set 12 m | 1x | set 12 m | 1x 1x | set 6 m set 9 m | 1x 1x | set 6 m set 9 m |
| Options: | | | | | | | | |
| • Welding strips | # | roll 25 m | # | roll 25 m | # | roll 25 m | # | roll 25 m |
| • Strip bracket set | 1x 1x | set (4) set (40) | 2x 1x | set (4) set (40) | 3x 1x | set (4) set (40) | 4x 1x | set (4) set (40) |
| • Leg 2/2,5/3/3,5 m | 4x | leg | 4x | leg | 4x | leg | 4x | leg |
| • Floor mounting set | 1x | set | 1x | set | 1x | set | 1x | set |
| • Lighting fixture | # | | # | | # | | # | |
| Weight (without options) | 127 kg (280 lbs) | | 139 kg (306 lbs) | | 151 kg (333 lbs) | | 162 kg (357 lbs) | |

HOOD SIZE: 2 X 1,5 M – 2 X 3,5 M (SINGLE)

| Nominal size | 2 x 1,5 m | | 2 x 2 m | | 2 x 2,5 m | | 2 x 3 m | | 2 x 3,5 m | |
|---------------------------------|-----------------|---------------------|-----------------|---------------------|------------------|---------------------|------------------|------------|------------------|----------------------------|
| Effective size | 2086 x 1586 mm | | 2086 x 2086 mm | | 2086 x 2586 mm | | 2086 x 3086 mm | | 2086 x 3586 mm | |
| Components: | | | | | | | | | | |
| • Main frame profile | 2x 2x | 2 m 1,5 m | 4x | 2 m | 2x 2x | 2 m 2,5 m | 2x 2x | 2 m 3 m | 2x 2x | 2 m 3,5 m |
| • Corner set | 2x | set | 2x | set | 2x | set | 2x | set | 2x | set |
| • Corner cover set | 1x | set | 1x | set | 1x | set | 1x | set | 1x | set |
| • Roof panel set (basic) | 1x | set 2 m | 1x | set 2 m | 1x | set 2 m | 1x | set 2 m | 1x | set 2 m |
| • Roof panel set (extension) | | | 1x | set 2 m | 2x | set 2 m | 3x | set 2 m | 1x 1x | set 2 m (1) set 2 m (3) |
| • Connection flange | 1x | Ø 315 mm | 1x | Ø 315 mm | 1x | Ø 400 mm | 2x | Ø 315 mm | 2x | Ø 315 mm |
| • Branding set | 1x | set 9 m | 1x | set 9 m | 1x | set 9 m | 1x | set 12 m | 1x | set 12 m |
| Options: | | | | | | | | | | |
| • Welding strips | # | roll 25 m | # | roll 25 m | # | roll 25 m | # | roll 25 m | # | roll 25 m |
| • Strip bracket set | 2x 1x | set (4) set (20) | 3x 1x | set (4) set (20) | 4x 1x | set (4) set (20) | 1x | set (40) | 1x 1x | set (40) set (4) |
| • Leg 2/2,5/3/3,5 m | 4x | leg | 4x | leg | 4x | leg | 4x | leg | 4x | leg |
| • Floor mounting set | 1x | set | 1x | set | 1x | set | 1x | set | 1x | set |
| • Lighting fixture | # | | # | | # | | # | | # | |
| Weight (without options) | 78 kg (172 lbs) | | 92 kg (203 lbs) | | 106 kg (234 lbs) | | 121 kg (267 lbs) | | 135 kg (298 lbs) | |

HOOD SIZE: 2 X 4 M – 2 X 5,5 M (SINGLE)

| Nominal size | 2 x 4 m | | 2 x 4,5 m | | 2 x 5 m | | 2 x 5,5 m | |
|---------------------------------|------------------|----------------------------|------------------|---------------------|------------------|----------------------------|------------------|----------------------------|
| Effective size | 2086 x 4086 mm | | 2086 x 4586 mm | | 2086 x 5086 mm | | 2086 x 5586 mm | |
| Components: | | | | | | | | |
| • Main frame profile | 2x 2x | 2 m 4 m | 2x 2x | 2 m 4,5 m | 2x 2x | 2 m 5 m | 2x 2x | 2 m 5,5 m |
| • Corner set | 2x | set | 2x | set | 2x | set | 2x | set |
| • Corner cover set | 1x | set | 1x | set | 1x | set | 1x | set |
| • Roof panel set (basic) | 1x | set 2 m | 1x | set 2 m | 1x | set 2 m | 1x | set 2 m |
| • Roof panel set (extension) | 2x 1x | set 2 m (1) set 2 m (3) | 2x | set 2 m (3) | 1x 2x | set 2 m (1) set 2 m (3) | 2x 2x | set 2 m (1) set 2 m (3) |
| • Connection flange | 2x | Ø 315 mm | 2x | Ø 315 mm | 2x | Ø 315 mm | 2x | Ø 315 mm |
| • Branding set | 1x | set 12 m | 1x 1x | set 6 m set 9 m | 1x 1x | set 6 m set 9 m | 1x 1x | set 6 m set 9 m |
| Options: | | | | | | | | |
| • Welding strips | # | roll 25 m | # | roll 25 m | # | roll 25 m | # | roll 25 m |
| • Strip bracket set | 2x 1x | set (4) set (40) | 3x 1x | set (4) set (40) | 4x 1x | set (4) set (40) | 1x 1x | set (20) set (40) |
| • Leg 2/2,5/3/3,5 m | 4x | leg | 4x | leg | 4x | leg | 4x | leg |
| • Floor mounting set | 1x | set | 1x | set | 1x | set | 1x | set |
| • Lighting fixture | # | | # | | # | | # | |
| Weight (without options) | 149 kg (328 lbs) | | 163 kg (359 lbs) | | 177 kg (390 lbs) | | 191 kg (421 lbs) | |

DOUBLE COMPARTMENT HOODS

HOOD SIZE: 2,5 X 2,5 M – 3 X 4,5 M (DOUBLE)

| Nominal size | 2,5 x 2,5 m | | 2,5 x 3 m | | 2,5 x 3,5 m | | 2,5 x 4 m | | 2,5 x 4,5 m | |
|---------------------------------|------------------|------------------------------|------------------|------------------------------|----------------------|--|----------------------|--|------------------|------------------------------|
| Effective size | 2666 x 2586 mm | | 2666 x 3086 mm | | 2666 x 3586 mm | | 2666 x 4086 mm | | 2666 x 4586 mm | |
| Components: | | | | | | | | | | |
| • Main frame profile | 2x 4x | 2,5 m (W) 2,5 m (L) | 2x 4x | 2,5 m (W) 3 m (L) | 2x 4x | 2,5 m (W) 3,5 m (L) | 2x 4x | 2,5 m (W) 4 m (L) | 2x 4x | 2,5 m (W) 4,5 m (L) |
| • T-bracket set | 1x | set | 1x | set | 1x | set | 1x | set | 1x | set |
| • Corner set | 2x | set | 2x | set | 2x | set | 2x | set | 2x | set |
| • Corner cover set | 1x | set | 1x | set | 1x | set | 1x | set | 1x | set |
| • Roof panel set (basic) | 1x 1x | set 1 m set 1,5 m | 1x 1x | set 1 m set 1,5 m | 1x 1x | set 1 m set 1,5 m | 1x 1x | set 1 m set 1,5 m | 1x 1x | set 1 m set 1,5 m |
| • Roof panel set (extension) | 2x 2x | set 1 m (1) set 1,5 m (1) | 1x 1x | set 1 m (3) set 1,5 m (3) | 1x 1x 1x 1x | set 1 m (1) set 1 m (3) set 1,5 m (1) set 1,5 m (3) | 2x 1x 2x 1x | set 1 m (1) set 1 m (3) set 1,5 m (1) set 1,5 m (3) | 2x 2x | set 1 m (3) set 1,5 m (3) |
| • Connection flange | 2x | Ø 250 mm | 4x | Ø 250 mm | 4x | Ø 250 mm | 2x 2x | Ø 250 mm Ø 315 mm | 2x 2x | Ø 250 mm Ø 315 mm |
| • Branding set | 1x | set 12 m | 1x | set 12 m | 1x | set 12 m | 1x 1x | set 6 m set 9 m | 1x 1x | set 6 m set 9 m |
| Options: | | | | | | | | | | |
| • Welding strips | # | roll 25 m | # | roll 25 m | # | roll 25 m | # | roll 25 m | # | roll 25 m |
| • Strip bracket set | 1x | set (40) | 1x 1x | set (4) set (40) | 2x 1x | set (4) set (40) | 3x 1x | set (4) set (40) | 4x 1x | set (4) set (40) |
| • Leg 2/2,5/3/3,5 m | 4x | leg | 4x | leg | 4x | leg | 4x | leg | 4x | leg |
| • Corner reinforcement | 2x | set | 2x | set | 2x | set | 2x | set | 2x | set |
| • Floor mounting set | 1x | set | 1x | set | 1x | set | 1x | set | 1x | set |
| • Lighting fixture | 2x | | 2x | | 2x | | 2x | | 2x | |
| Weight (without options) | 151 kg (333 lbs) | | 174 kg (384 lbs) | | 195 kg (430 lbs) | | 216 kg (476 kg) | | 237 kg (522 lbs) | |

| Nominal size | 3 x 2,5 m | | 3 x 3 m | | 3 x 3,5 m | | 3 x 4 m | | 3 x 4,5 m | |
|---------------------------------|------------------|--------------------------------|------------------|---------------------|------------------|--------------------------------|------------------|--------------------------------|------------------|----------------------|
| Effective size | 3166 x 2586 mm | | 3166 x 3086 mm | | 3166 x 3586 mm | | 3166 x 4086 mm | | 3166 x 4586 mm | |
| Components: | | | | | | | | | | |
| • Main frame profile | 2x 4x | 3 m (W) 2,5 m (L) | 2x 4x | 3 m (W) 3 m (L) | 2x 4x | 3 m (W) 3,5 m (L) | 2x 4x | 3 m (W) 4 m (L) | 2x 4x | 3 m (W) 4,5 m (L) |
| • T-bracket set | 1x | set | 1x | set | 1x | set | 1x | set | 1x | set |
| • Corner set | 2x | set | 2x | set | 2x | set | 2x | set | 2x | set |
| • Corner cover set | 1x | set | 1x | set | 1x | set | 1x | set | 1x | set |
| • Roof panel set (basic) | 2x | set 1,5 m | 2x | set 1,5 m | 2x | set 1,5 m | 2x | set 1,5 m | 2x | set 1,5 m |
| • Roof panel set (extension) | 1x 1x | set 1,5 m (1) set 1,5 m (3) | 2x | set 1,5 m (3) | 2x 2x | set 1,5 m (1) set 1,5 m (3) | 1x 3x | set 1,5 m (1) set 1,5 m (3) | 4x | set 1,5 m (3) |
| • Connection flange | 2x | Ø 315 mm | 4x | Ø 250 mm | 4x | Ø 250 mm | 4x | Ø 315 mm | 4x | Ø 315 mm |
| • Branding set | 1x | set 12 m | 1x | set 12 m | 1x 1x | set 6 m set 9 m | 1x 1x | set 6 m set 9 m | 1x 1x | set 6 m set 9 m |
| Options: | | | | | | | | | | |
| • Welding strips | # | roll 25 m | # | roll 25 m | # | roll 25 m | # | roll 25 m | # | roll 25 m |
| • Strip bracket set | 1x 1x | set (4) set (40) | 2x 1x | set (4) set (40) | 3x 1x | set (4) set (40) | 4x 1x | set (4) set (40) | 1x 1x | set (20) set (40) |
| • Leg 2/2,5/3/3,5 m | 4x | leg | 4x | leg | 4x | leg | 4x | leg | 4x | leg |
| • Corner reinforcement | 2x | set | 2x | set | 2x | set | 2x | set | 2x | set |
| • Floor mounting set | 1x | set | 1x | set | 1x | set | 1x | set | 1x | set |
| • Lighting fixture | # | | # | | # | | # | | # | |
| Weight (without options) | 168 kg (370 lbs) | | 193 kg (425 lbs) | | 231 kg (509 lbs) | | 240 kg (529 lbs) | | 264 kg (582 lbs) | |

HOOD SIZE: 2,5 X 5 M – 3 X 5,5 M (DOUBLE)

| Nominal size | 2,5 x 5 m | | 2,5 x 5,5 m | |
|---------------------------------|----------------------|--|----------------------|--|
| Effective size | 2666 x 5086 mm | | 2666 x 5586 mm | |
| Components: | | | | |
| • Main frame profile | 2x 4x | 2,5 m (W) 5 m (L) | 2x 4x | 2,5 m (W) 5,5 m (L) |
| • T-bracket set | 1x | set | 1x | set |
| • Corner set | 2x | set | 2x | set |
| • Corner cover set | 1x | set | 1x | set |
| • Roof panel set (basic) | 1x 1x | set 1 m set 1,5 m | 1x 1x | set 1 m set 1,5 m |
| • Roof panel set (extension) | 1x 2x 1x 2x | set 1 m (1) set 1 m (3) set 1,5 m (1) set 1,5 m (3) | 2x 2x 2x 2x | set 1 m (1) set 1 m (3) set 1,5 m (1) set 1,5 m (3) |
| • Connection flange | 2x 2x | Ø 250 mm Ø 315 mm | 2x 2x | Ø 250 mm Ø 315 mm |
| • Branding set | 1x 1x | set 6 m set 9 m | 1x 1x | set 6 m set 12 m |
| Options: | | | | |
| • Welding strips | # | roll 25 m | # | roll 25 m |
| • Strip bracket set | 1x | set (40) | 1x 1x | set (4) set (40) |
| • Leg 2/2,5/3/3,5 m | 4x | leg | 4x | leg |
| • Corner reinforcement | 2x | set | 2x | set |
| • Floor mounting set | 1x | set | 1x | set |
| • Lighting fixture | 2x | | 2x | |
| Weight (without options) | 258 kg (569 lbs) | | 279 kg (615 lbs) | |

| Nominal size | 3 x 5 m | | 3 x 5,5 m | |
|---------------------------------|------------------|--------------------------------|------------------|--------------------------------|
| Effective size | 3166 x 5086 mm | | 3166 x 5586 mm | |
| Components: | | | | |
| • Main frame profile | 2x 4x | 3 m (W) 5 m (L) | 2x 4x | 3 m (W) 5,5 m (L) |
| • T-bracket set | 1x | set | 1x | set |
| • Corner set | 2x | set | 2x | set |
| • Corner cover set | 1x | set | 1x | set |
| • Roof panel set (basic) | 2x | set 1,5 m | 2x | set 1,5 m |
| • Roof panel set (extension) | 2x 4x | set 1,5 m (1) set 1,5 m (3) | 1x 5x | set 1,5 m (1) set 1,5 m (3) |
| • Connection flange | 4x | Ø 315 mm | 4x | Ø 315 mm |
| • Branding set | 1x 1x | set 6 m set 12 m | 1x 1x | set 6 m set 12 m |
| Options: | | | | |
| • Welding strips | # | roll 25 m | # | roll 25 m |
| • Strip bracket set | 1x 1x | set (4) set (40) | 2x 1x | set (4) set (40) |
| • Leg 2/2,5/3/3,5 m | 4x | leg | 4x | leg |
| • Corner reinforcement | 2x | set | 2x | set |
| • Floor mounting set | 1x | set | 1x | set |
| • Lighting fixture | # | | # | |
| Weight (without options) | 287 kg (633 lbs) | | 311 kg (686 lbs) | |

HOOD SIZE: 3,5 X 2,5 M – 4 X 4,5 M (DOUBLE)

| Nominal size | 3,5 x 2,5 m | | 3,5 x 3 m | | 3,5 x 3,5 m | | 3,5 x 4 m | | 3,5 x 4,5 m | |
|---------------------------------|------------------|------------------------------|------------------|------------------------------|----------------------|--|----------------------|--|------------------|---------------------------------|
| Effective size | 3666 x 2586 mm | | 3666 x 3086 mm | | 2666 x 3586 mm | | 3666 x 4086 mm | | 3666 x 4586 mm | |
| Components: | | | | | | | | | | |
| • Main frame profile | 2x 4x | 3,5 m (W) 2,5 m (L) | 2x 4x | 3,5 m (W) 3 m (L) | 2x 4x | 3,5 m (W) 3,5 m (L) | 2x 4x | 3,5 m (W) 4 m (L) | 2x 4x | 3,5 m (W) 4,5 m (L) |
| • T-bracket set | 1x | set | 1x | set | 1x | set | 1x | set | 1x | set |
| • Corner set | 2x | set | 2x | set | 2x | set | 2x | set | 2x | set |
| • Corner cover set | 1x | set | 1x | set | 1x | set | 1x | set | 1x | set |
| • Roof panel set (basic) | 1x 1x | set 1,5 m set 2 m | 1x 1x | set 1,5 m set 2 m | 1x 1x | set 1,5 m set 2 m | 1x 1x | set 1,5 m set 2 m | 1x 1x | set 1,5 m set 2 m |
| • Roof panel set (extension) | 2x 2x | set 1,5 m (1) set 2 m (1) | 1x 1x | set 1,5 m (3) set 2 m (3) | 1x 1x 1x 1x | set 1,5 m (1) set 1,5 m (3) set 2 m (1) set 2 m (3) | 2x 1x 2x 1x | set 1,5 m (1) set 1,5 m (3) set 2 m (1) set 2 m (3) | 2x 2x | set 1,5 m (3) set 2 m (3) |
| • Connection flange | 2x | Ø 315 mm | 2x 2x | Ø 250 mm Ø 315 mm | 2x 2x | Ø 250 mm Ø 315 mm | 4x | Ø 315 mm | 4x | Ø 315 mm |
| • Branding set | 1x | set 12 m | 1x 1x | set 6 m set 9 m | 1x 1x | set 6 m set 9 m | 1x 1x | set 6 m set 9 m | 1x 1x | set 6 m set 9 m |
| Options: | | | | | | | | | | |
| • Welding strips | # | roll 25 m | # | roll 25 m | # | roll 25 m | # | roll 25 m | # | roll 25 m |
| • Strip bracket set | 2x 1x | set (4) set (40) | 3x 1x | set (4) set (40) | 4x 1x | set (4) set (40) | 1x 1x | set (20) set (40) | 1x 1x 1x | set (4) set (20) set (40) |
| • Leg 2/2,5/3/3,5 m | 4x | leg | 4x | leg | 4x | leg | 4x | leg | 4x | leg |
| • Corner reinforcement | 2x | set | 2x | set | 2x | set | 2x | set | 2x | set |
| • Floor mounting set | 1x | set | 1x | set | 1x | set | 1x | set | 1x | set |
| • Lighting fixture | 2x | | 2x | | 2x | | 2x | | 2x | |
| Weight (without options) | 182 kg (401 lbs) | | 210 kg (463 lbs) | | 251 kg (553 lbs) | | 262 kg (578 lbs) | | 287 kg (633 lbs) | |

| Nominal size | 4 x 2,5 m | | 4 x 3 m | | 4 x 3,5 m | | 4 x 4 m | | 4 x 4,5 m | |
|---------------------------------|------------------|----------------------------|------------------|---------------------|------------------|----------------------------|------------------|---------------------------------|------------------|---------------------------------|
| Effective size | 4166 x 2586 mm | | 4166 x 3086 mm | | 4166 x 3586 mm | | 4166 x 4086 mm | | 4166 x 4586 mm | |
| Components: | | | | | | | | | | |
| • Main frame profile | 2x 4x | 4 m (W) 2,5 m (L) | 2x 4x | 4 m (W) 3 m (L) | 2x 4x | 4 m (W) 3,5 m (L) | 2x 4x | 4 m (W) 4 m (L) | 2x 4x | 4 m (W) 4,5 m (L) |
| • T-bracket set | 1x | set | 1x | set | 1x | set | 1x | set | 1x | set |
| • Corner set | 2x | set | 2x | set | 2x | set | 2x | set | 2x | set |
| • Corner cover set | 1x | set | 1x | set | 1x | set | 1x | set | 1x | set |
| • Roof panel set (basic) | 2x | set 2 m | 2x | set 2 m | 2x | set 2 m | 2x | set 2 m | 2x | set 2 m |
| • Roof panel set (extension) | 1x 1x | set 2 m (1) set 2 m (3) | 2x | set 2 m (3) | 2x 2x | set 2 m (1) set 2 m (3) | 1x 3x | set 2 m (1) set 2 m (3) | 4x | set 2 m (3) |
| • Connection flange | 2x 2x | Ø 250 mm Ø 315 mm | 4x | Ø 315 mm | 4x | Ø 315 mm | 4x | Ø 315 mm | 4x | Ø 315 mm |
| • Branding set | 1x | set 12 m | 1x 1x | set 6 m set 9 m | 1x 1x | set 6 m set 9 m | 1x 1x | set 6 m set 9 m | 1x 1x | set 6 m set 9 m |
| Options: | | | | | | | | | | |
| • Welding strips | # | roll 25 m | # | roll 25 m | # | roll 25 m | # | roll 25 m | # | roll 25 m |
| • Strip bracket set | 3x 1x | set (4) set (40) | 4x 1x | set (4) set (40) | 1x 1x | set (20) set (40) | 1x 1x 1x | set (4) set (20) set (40) | 2x 1x 1x | set (4) set (20) set (40) |
| • Leg 2/2,5/3/3,5 m | 4x | leg | 4x | leg | 4x | leg | 4x | leg | 4x | leg |
| • Corner reinforcement | 2x | set | 2x | set | 2x | set | 2x | set | 2x | set |
| • Floor mounting set | 1x | set | 1x | set | 1x | set | 1x | set | 1x | set |
| • Lighting fixture | # | | # | | # | | # | | # | |
| Weight (without options) | 200 kg (441 lbs) | | 228 kg (503 lbs) | | 271 kg (597 lbs) | | 284 kg (626 lbs) | | 312 kg (688 lbs) | |

HOOD SIZE: 3,5 X 5 M – 4 X 4,5 M (DOUBLE)

| Nominal size | 3,5 x 5 m | | 3,5 x 5,5 m | |
|---------------------------------|----------------------|--|----------------------|--|
| Effective size | 3666 x 5086 mm | | 3666 x 5586 mm | |
| Components: | | | | |
| • Main frame profile | 2x 4x | 3,5 m (W) 5 m (L) | 2x 4x | 3,5 m (W) 5,5 m (L) |
| • T-bracket set | 1x | set | 1x | set |
| • Corner set | 2x | set | 2x | set |
| • Corner cover set | 1x | set | 1x | set |
| • Roof panel set (basic) | 1x 1x | set 1,5 m set 2 m | 1x 1x | set 1,5 m set 2 m |
| • Roof panel set (extension) | 1x 2x 1x 2x | set 1,5 m (1) set 1,5 m (3) set 2 m (1) set 2 m (3) | 2x 2x 2x 2x | set 1,5 m (1) set 1,5 m (3) set 2 m (1) set 2 m (3) |
| • Connection flange | 4x | Ø 315 mm | 4x | Ø 315 mm |
| • Branding set | 1x 1x | set 6 m set 12 m | 1x 1x | set 6 m set 12 m |
| Options: | | | | |
| • Welding strips | # | roll 25 m | # | roll 25 m |
| • Strip bracket set | 2x 1x 1x | set (4) set (20) set (40) | 3x 1x 1x | set (4) set (20) set (40) |
| • Leg 2/2,5/3/3,5 m | 4x | leg | 4x | leg |
| • Corner reinforcement | 2x | set | 2x | set |
| • Floor mounting set | 1x | set | 1x | set |
| • Lighting fixture | 2x | | 2x | |
| Weight (without options) | 313 kg (690 lbs) | | 339 kg (747 lbs) | |

| Nominal size | 4 x 5 m | | 4 x 5,5 m | |
|---------------------------------|------------------|---------------------------------|------------------|---------------------------------|
| Effective size | 4166 x 5086 mm | | 4166 x 5586 mm | |
| Components: | | | | |
| • Main frame profile | 2x 4x | 4 m (W) 5 m (L) | 2x 4x | 4 m (W) 5,5 m (L) |
| • T-bracket set | 1x | set | 1x | set |
| • Corner set | 2x | set | 2x | set |
| • Corner cover set | 1x | set | 1x | set |
| • Roof panel set (basic) | 2x | set 2 m | 2x | set 2 m |
| • Roof panel set (extension) | 2x 4x | set 2 m (1) set 2 m (3) | 1x 5x | set 2 m (1) set 2 m (3) |
| • Connection flange | 4x | Ø 315 mm | 4x | Ø 315 mm |
| • Branding set | 1x 1x | set 6 m set 12 m | 1x 1x | set 6 m set 12 m |
| Options: | | | | |
| • Welding strips | # | roll 25 m | # | roll 25 m |
| • Strip bracket set | 3x 1x 1x | set (4) set (20) set (40) | 4x 1x 1x | set (4) set (20) set (40) |
| • Leg 2/2,5/3/3,5 m | 4x | leg | 4x | leg |
| • Corner reinforcement | 2x | set | 2x | set |
| • Floor mounting set | 1x | set | 1x | set |
| • Lighting fixture | # | | # | |
| Weight (without options) | 350 kg (750 lbs) | | 368 kg (811 lbs) | |

TRIPLE COMPARTMENT HOODS

HOOD SIZE: 4,5 X 2,5 M – 5 X 4,5 M (TRIPLE)

| Nominal size | 4,5 x 2,5 m | | 4,5 x 3 m | | 4,5 x 3,5 m | | 4,5 x 4 m | | 4,5 x 4,5 m | |
|---------------------------------|------------------|------------------------|------------------|----------------------|------------------|---------------------------------|------------------|---------------------------------|------------------|---------------------------------|
| Effective size | 4746 x 2586 mm | | 4746 x 3086 mm | | 4746 x 3586 mm | | 4746 x 4086 mm | | 4746 x 4586 mm | |
| Components: | | | | | | | | | | |
| • Main frame profile | 2x 6x | 4,5 m (W) 2,5 m (L) | 2x 6x | 4,5 m (W) 3 m (L) | 2x 6x | 4,5 m (W) 3,5 m (L) | 2x 6x | 4,5 m (W) 4 m (L) | 2x 6x | 4,5 m (W) 4,5 m (L) |
| • T-bracket set | 2x | set | 2x | set | 2x | set | 2x | set | 2x | set |
| • Corner set | 2x | set | 2x | set | 2x | set | 2x | set | 2x | set |
| • Corner cover set | 1x | set | 1x | set | 1x | set | 1x | set | 1x | set |
| • Roof panel set (basic) | 3x | set 1,5 m | 3x | set 1,5 m | 3x | set 1,5 m | 3x | set 1,5 m | 1x | set 1,5 m |
| • Roof panel set (extension) | 2x | set 1,5 m (3) | 3x | set 1,5 m (3) | 4x | set 1,5 m (3) | 5x | set 1,5 m (3) | 6x | set 1,5 m (3) |
| • Connection flange | 3x | Ø 315 mm | 6x | Ø 250 mm | 6x | Ø 250 mm | 6x | Ø 315 mm | 6x | Ø 315 mm |
| • Branding set | 1x 1x | set 6 m set 9 m | 1x 1x | set 6 m set 9 m | 1x 1x | set 6 m set 12 m | 1x 1x | set 6 m set 12 m | 1x 1x | set 6 m set 12 m |
| Options: | | | | | | | | | | |
| • Welding strips | # | roll 25 m | # | roll 25 m | # | roll 25 m | # | roll 25 m | # | roll 25 m |
| • Strip bracket set | 4x 1x | set (4) set (40) | 1x 1x | set (20) set (40) | 1x 1x 1x | set (4) set (20) set (40) | 2x 1x 1x | set (4) set (20) set (40) | 3x 1x 1x | set (4) set (20) set (40) |
| • Leg 2/2,5/3/3,5 m | 4x | leg | 4x | leg | 4x | leg | 4x | leg | 4x | leg |
| • Corner reinforcement | 2x | set | 2x | set | 2x | set | 2x | set | 2x | set |
| • Floor mounting set | 1x | set | 1x | set | 1x | set | 1x | set | 1x | set |
| • Lighting fixture | 3x | | 3x | | 3x | | 3x | | 3x | |
| Weight (without options) | 223 kg (492 lbs) | | 257 kg (567 lbs) | | 303 kg (668 lbs) | | 319 kg (703 lbs) | | 349 kg (769 lbs) | |

| Nominal size | 5 x 2,5 m | | 5 x 3 m | | 5 x 3,5 m | | 5 x 4 m | | 5 x 4,5 m | |
|---------------------------------|------------------|---|------------------|---------------------------------|----------------------|--|----------------------|--|------------------|---------------------------------|
| Effective size | 5246 x 2586 mm | | 5246 x 3086 mm | | 5246 x 3586 mm | | 5246 x 4086 mm | | 5246 x 4586 mm | |
| Components: | | | | | | | | | | |
| • Main frame profile | 2x 6x | 5 m (W) 2,5 m (L) | 2x 6x | 5 m (W) 3 m (L) | 2x 6x | 5 m (W) 3,5 m (L) | 2x 6x | 5 m (W) 4 m (L) | 2x 6x | 5 m (W) 4,5 m (L) |
| • T-bracket set | 2x | set | 2x | set | 2x | set | 2x | set | 2x | set |
| • Corner set | 2x | set | 2x | set | 2x | set | 2x | set | 2x | set |
| • Corner cover set | 1x | set | 1x | set | 1x | set | 1x | set | 1x | set |
| • Roof panel set (basic) | 2x 1x | set 1,5 m set 2 m | 2x 1x | set 1,5 m set 2 m | 2x 1x | set 1,5 m set 2 m | 2x 1x | set 1,5 m set 2 m | 2x 1x | set 1,5 m set 2 m |
| • Roof panel set (extension) | 1x 1x 2x | set 1,5 m (1) set 1,5 m (3) set 2 m (1) | 2x 1x | set 1,5 m (3) set 2 m (3) | 2x 2x 1x 1x | set 1,5 m (1) set 1,5 m (3) set 2 m (1) set 2 m (3) | 1x 3x 2x 1x | set 1,5 m (1) set 1,5 m (3) set 2 m (1) set 2 m (3) | 4x 2x | set 1,5 m (30) set 2 m (3) |
| • Connection flange | 3x | Ø 315 mm | 4x 2x | Ø 250 mm Ø 315 mm | 4x 2x | Ø 250 mm Ø 315 mm | 6x | Ø 315 mm | 6x | Ø 315 mm |
| • Branding set | 1x 1x | set 6 m set 9 m | 1x 1x | set 6 m set 12 m | 1x 1x | set 6 m set 12 m | 1x 1x | set 6 m set 12 m | 1x 1x | set 9 m set 12 m |
| Options: | | | | | | | | | | |
| • Welding strips | # | roll 25 m | # | roll 25 m | # | roll 25 m | # | roll 25 m | # | roll 25 m |
| • Strip bracket set | 1x 1x | set (20) set (40) | 1x 1x 1x | set (4) set (20) set (40) | 2x 1x 1x | set (4) set (20) set (40) | 3x 1x 1x | set (4) set (20) set (40) | 4x 1x 1x | set (4) set (20) set (40) |
| • Leg 2/2,5/3/3,5 m | 4x | leg | 4x | leg | 4x | leg | 4x | leg | 4x | leg |
| • Corner reinforcement | 2x | set | 2x | set | 2x | set | 2x | set | 2x | set |
| • Floor mounting set | 1x | set | 1x | set | 1x | set | 1x | set | 1x | set |
| • Lighting fixture | # | | # | | # | | # | | # | |
| Weight (without options) | 238 kg (525 lbs) | | 274 kg (604 lbs) | | 322 kg (710 lbs) | | 340 kg (750 lbs) | | 373 kg (822 lbs) | |

HOOD SIZE: 4,5 X 5 M – 5 X 5,5 M (TRIPLE)

| Nominal size | 4,5 x 5 m | | 4,5 x 5,5 m | |
|---------------------------------|------------------|---------------------------------|------------------|------------------------|
| Effective size | 4746 x 5086 mm | | 4746 x 5586 mm | |
| Components: | | | | |
| • Main frame profile | 2x 6x | 4,5 m (W) 5 m (L) | 2x 6x | 4,5 m (W) 5,5 m (L) |
| • T-bracket set | 2x | set | 2x | set |
| • Corner set | 2x | set | 2x | set |
| • Corner cover set | 1x | set | 1x | set |
| • Roof panel set (basic) | 3x | set 1,5 m | 3x | set 1,5 m |
| • Roof panel set (extension) | 7x | set 1,5 m (3) | 8x | set 1,5 m (3) |
| • Connection flange | 6x | Ø 315 mm | 6x | Ø 315 mm |
| • Branding set | 1x 1x | set 9 m set 12 m | 1x 1x | set 9 m set 12 m |
| Options: | | | | |
| • Welding strips | # | roll 25 m | # | roll 25 m |
| • Strip bracket set | 4x 1x 1x | set (4) set (20) set (40) | 2x | set (40) |
| • Leg 2/2,5/3/3,5 m | 4x | leg | 4x | leg |
| • Corner reinforcement | 2x | set | 2x | set |
| • Floor mounting set | 1x | set | 1x | set |
| • Lighting fixture | 3x | | 3x | |
| Weight (without options) | 380 kg (838 lbs) | | 411 kg (906 lbs) | |

| Nominal size | 5 x 5 m | | 5 x 5,5 m | |
|---------------------------------|----------------------|--|----------------------|--|
| Effective size | 5246 x 5086 mm | | 5246 x 5586 mm | |
| Components: | | | | |
| • Main frame profile | 2x 6x | 5 m (W) 5 m (L) | 2x 6x | 5 m (W) 5,5 m (L) |
| • T-bracket set | 2x | set | 2x | set |
| • Corner set | 2x | set | 2x | set |
| • Corner cover set | 1x | set | 1x | set |
| • Roof panel set (basic) | 2x 1x | set 1,5 m set 2 m | 2x 1x | set 1,5 m set 2 m |
| • Roof panel set (extension) | 2x 4x 1x 2x | set 1,5 m (1) set 1,5 m (3) set 2 m (1) set 2 m (3) | 1x 5x 2x 2x | set 1,5 m (1) set 1,5 m (3) set 2 m (1) set 2 m (3) |
| • Connection flange | 6x | Ø 315 mm | 6x | Ø 315 mm |
| • Branding set | 1x 1x | set 9 m set 12 m | 1x 1x | set 9 m set 12 m |
| Options: | | | | |
| • Welding strips | # | roll 25 m | # | roll 25 m |
| • Strip bracket set | 2x | set (40) | 1x 2x | set (4) set (40) |
| • Leg 2/2,5/3/3,5 m | 4x | leg | 4x | leg |
| • Corner reinforcement | 2x | set | 2x | set |
| • Floor mounting set | 1x | set | 1x | set |
| • Lighting fixture | # | | # | |
| Weight (without options) | 406 kg (895 lbs) | | 439 kg (968 lbs) | |

HOOD SIZE: 5,5 X 2,5 M – 5,5 X 4,5 M (TRIPLE)

| Nominal size | 5,5 x 2,5 m | | 5,5 x 3 m | | 5,5 x 3,5 m | | 5,5 x 4 m | | 5,5 x 4,5 m | |
|---------------------------------|------------------|---|------------------|---------------------------------|----------------------|--|----------------------|--|------------------|------------------------------|
| Effective size | 5746 x 2586 mm | | 5746 x 3086 mm | | 5746 x 3586 mm | | 5746 x 4086 mm | | 5746 x 4586 mm | |
| Components: | | | | | | | | | | |
| • Main frame profile | 2x 6x | 5,5 m (W) 2,5 m (L) | 2x 6x | 5,5 m (W) 3 m (L) | 2x 6x | 5,5 m (W) 3,5 m (L) | 2x 6x | 5,5 m (W) 4 m (L) | 2x 6x | 5,5 m (W) 4,5 m (L) |
| • T-bracket set | 2x | set | 2x | set | 2x | set | 2x | set | 2x | set |
| • Corner set | 2x | set | 2x | set | 2x | set | 2x | set | 2x | set |
| • Corner cover set | 1x | set | 1x | set | 1x | set | 1x | set | 1x | set |
| • Roof panel set (basic) | 1x 2x | set 1,5 m set 2 m | 1x 2x | set 1,5 m set 2 m | 1x 2x | set 1,5 m set 2 m | 1x 2x | set 1,5 m set 2 m | 1x 2x | set 1,5 m set 2 m |
| • Roof panel set (extension) | 2x 1x 1x | set 1,5 m (1) set 2 m (1) set 2 m (3) | 1x 2x | set 1,5 m (3) set 2 m (3) | 1x 1x 2x 2x | set 1,5 m (1) set 1,5 m (3) set 2 m (1) set 2 m (3) | 2x 1x 1x 3x | set 1,5 m (1) set 1,5 m (3) set 2 m (1) set 2 m (3) | 2x 4x | set 1,5 m (3) set 2 m (3) |
| • Connection flange | 3x | Ø 315 mm | 2x 4x | Ø 250 mm Ø 315 mm | 2x 4x | Ø 250 mm Ø 315 mm | 6x | Ø 315 mm | 6x | Ø 315 mm |
| • Branding set | 1x 1x | set 6 m set 12 m | 1x 1x | set 6 m set 12 m | 1x 1x | set 6 m set 12 m | 1x 1x | set 9 m set 12 m | 1x 1x | set 9 m set 12 m |
| Options: | | | | | | | | | | |
| • Welding strips | 1x | roll 25 m | 1x | roll 25 m | 1x | roll 25 m | 1x | roll 25 m | 1x | roll 25 m |
| • Strip bracket set | 1x 1x 1x | set (4) set (20) set (40) | 2x 1x 1x | set (4) set (20) set (40) | 3x 1x 1x | set (4) set (20) set (40) | 4x 1x 1x | set (4) set (20) set (40) | 2x | set (40) |
| • Leg 2/2,5/3/3,5 m | 4x | leg | 4x | leg | 4x | leg | 4x | leg | 4x | leg |
| • Corner reinforcement | 2x | set | 2x | set | 2x | set | 2x | set | 2x | set |
| • Floor mounting set | 1x | set | 1x | set | 1x | set | 1x | set | 1x | set |
| • Lighting fixture | # | | # | | # | | # | | # | |
| Weight (without options) | 254 kg (560 lbs) | | 292 kg (644 lbs) | | 342 kg (754 lbs) | | 363 kg (800 lbs) | | 398 kg (877 lbs) | |

HOOD SIZE: 5,5 X 5 M – 5,5 X 5,5 M (TRIPLE)

| Nominal size | 5,5 x 5 m | | 5,5 x 5,5 m | |
|---------------------------------|----------------------|--|----------------------|--|
| Effective size | 5746 x 5086 mm | | 5746 x 5586 mm | |
| Components: | | | | |
| • Main frame profile | 2x 6x | 5,5 m (W) 5 m (L) | 2x 6x | 5,5 m (W) 5,5 m (L) |
| • T-bracket set | 2x | set | 2x | set |
| • Corner set | 2x | set | 2x | set |
| • Corner cover set | 1x | set | 1x | set |
| • Roof panel set (basic) | 1x 2x | set 1,5 m set 2 m | 1x 2x | set 1,5 m set 2 m |
| • Roof panel set (extension) | 1x 2x 2x 4x | set 1,5 m (1) set 1,5 m (3) set 2 m (1) set 2 m (3) | 2x 2x 1x 5x | set 1,5 m (1) set 1,5 m (3) set 2 m (1) set 2 m (3) |
| • Connection flange | 6x | Ø 315 mm | 6x | Ø 315 mm |
| • Branding set | 1x 1x | set 9 m set 12 m | 2x | set 12 m |
| Options: | | | | |
| • Welding strips | 1x | roll 25 m | 1x | roll 25 m |
| • Strip bracket set | 1x 2x | set (4) set (40) | 2x 2x | set (4) set (40) |
| • Leg 2/2,5/3/3,5 m | 4x | leg | 4x | leg |
| • Corner reinforcement | 2x | set | 2x | set |
| • Floor mounting set | 1x | set | 1x | set |
| • Lighting fixture | # | | # | |
| Weight (without options) | 433 kg (955 lbs) | | 468 kg (1032 lbs) | |