

Range of plate mounted axial flameproof fans. Mounting plate manufactured from galvanised sheet steel fitted with an internal aluminium ring and motor support manufactured from heavy gauge aluminium sheet. The whole assembly is protected by aluminium paint finish B-0920. Impellers manufactured from one piece die-cast aluminium with aerofoil profile fixed blades and finished in a high temperature paint coating (red colour). Available, depending upon the model, with single or three phase motors in 4, 6 or 8 poles.

#### Motors

All motors are IP55, Class F insulation. All motors incorporate ball bearings greased for life.

Electrical supplies:

Single phase 230V-50Hz.

Three phase 230/400V-50Hz.

#### ATEX versions HDT

On request, explosion proof versions in accordance with ATEX Directive.

For ambient working temperatures from -20°C to +40°C.

- ATEX Flameproof-Gas

⊕ II 2G Ex d IIB T4

⊕ II 2G Ex d IIB+H2 T4

- ATEX Dust

Suspended flammable particles and non-conductive dust:

⊕ II 3D Ex tc IIIB T125°C

Conductive dust:

⊕ II 3D Ex tc IIIC T125°C (with IP65 motor)

To select HDT ATEX refer to performance curves or Easyvent.

Note electrical data may vary for ATEX motors.

Alternative ATEX motors, if available, may be filled- please refer.

#### Additional information

Standard air direction: form (A) configuration (Motor over Impeller).

For the single phase motors, the capacitor is provided not fitted on the fan. It must be installed outside of the ATEX area or within an electrical main board complying with ATEX Directive.

#### On request

Air direction: form (B) configuration (Impeller over Motor) only for 450 and 560 models.

#### Specific applications



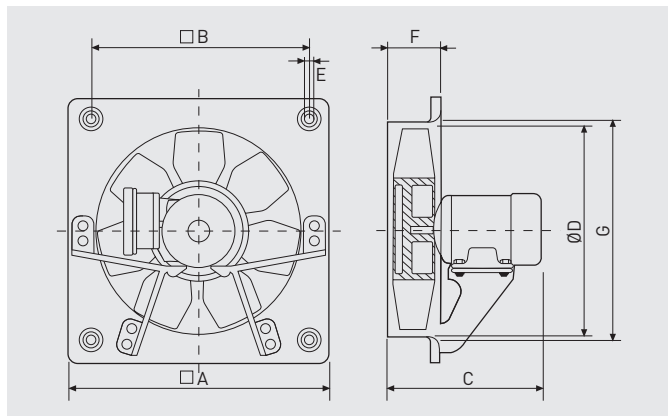
## TECHNICAL CHARACTERISTICS

Before making any electrical connection ensure that the voltage and frequency of the mains electrical supply matches that of the fan data plate label.

Model	Motor versions		Speed (rpm)	Diameter (mm)	Motor power (kW)	Maximum absorbed current (A)		Maximum airflow (m <sup>3</sup> /h)	Sound pressure level* (dB(A))	Weight (kg)
	IIB	IIC				230 V	400 V			
SINGLE PHASE 4 POLE										
HDB/4-315	IIBT4	IICT4	1300	315	0,12	0,9	-	2.240	56	11
HDB/4-355	IIBT4	IICT4	1310	355	0,18	1,14	-	3.120	60	12
HDB/4-400	IIBT4	-	1320	400	0,37	1,9	-	4.780	65	15
HDB/4-450	IIBT4	-	1340	450	0,55	2,8	-	8.000	66	21
SINGLE PHASE 6 POLE										
HDB/6-355	IIBT4	IICT3	920	355	0,12	1,02	-	2.100	52	12
HDB/6-450	IIBT4	-	900	450	0,25	1,8	-	5.300	58	17
HDB/6-560	IIBT4	-	920	560	0,75	3,3	-	9.300	65	30
THREE PHASE 4 POLE										
HDT/4-315	IIBT4	IICT4	1330	315	0,12	0,9	0,52	2.240	56	9,5
HDT/4-355	IIBT4	IICT4	1340	355	0,18	1,14	0,66	3.120	60	11
HDT/4-400	IIBT4	IICT4	1370	400	0,37	1,9	1,1	4.780	65	15
HDT/4-450	IIBT4	IICT4	1380	450	0,55	2,6	1,5	8.000	66	20
HDT/4-560	IIBT4	IICT4	1390	560	1,1	5,02	2,9	13.700	73	29
THREE PHASE 6 POLE										
HDT/6-355	IIBT4	IICT4	950	355	0,18	0,92	1,59	2.100	52	11
HDT/6-400	IIBT4	IICT4	900	400	0,15	1,13	0,65	3.140	56	15
HDT/6-450	IIBT4	IICT4	900	450	0,25	1,73	1	5.300	58	16
HDT/6-560	IIBT4	IICT4	920	560	0,75	3,11	1,8	9.300	65	29
THREE PHASE 8 POLE										
HDT/8-450	IIBT4	IICT4	670	450	0,11	1,07	0,62	4.100	52	16
HDT/8-560	IIBT4	IICT4	680	560	0,26	1,77	1,02	7.250	59	20

\* Sound pressure level measured at 1,5 meters in free field conditions.

## DIMENSIONS (mm)



Model	∅ A	∅ B	C			∅ D	E	F	∅ G
			Number of poles						
			/4	/6	/8				
HDB-HDT 315	400	330	323	-	-	315	10	85	329
HDB-HDT 355	450	380	325	325	-	355	10	87	371
HDB-HDT 400	500	420	336	336	-	400	10	90	422
HDB-HDT 450	560	480	360	349	349	450	10	106	476
HDB-HDT 560	710	630	435	435	368	560	10	112	596

**PERFORMANCE CURVES**

- $q_v$ : Airflow in  $m^3/h$  and  $m^3/s$ .
- $p_{sf}$ : Static pressure in mmWG and Pa.
- Dry air at 20°C and 760 mmHg.
- Performance data in accordance with ISO 5801 and AMCA 210-99 Standards.

