



VENT-355

VENT-400

Instrucciones de montaje

Instruction leaflet

Notice de montage

Montageanweisungen

Montage-en gebruiksaanwijzing

Instrucções para a montagem

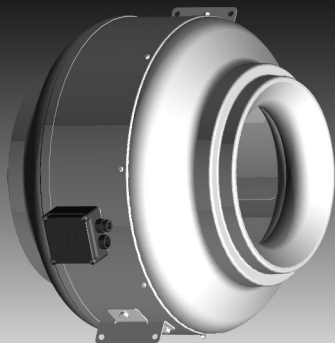
Istruzioni per l'installazione

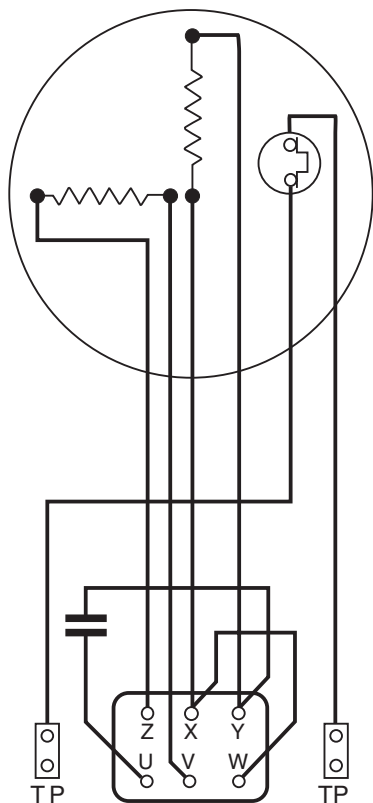
Användar instruktion

Brugervejledning

Instrukcja obsługi

Návod





VENT-355
 VENT-400



Fig.1

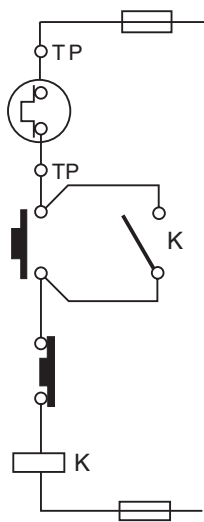
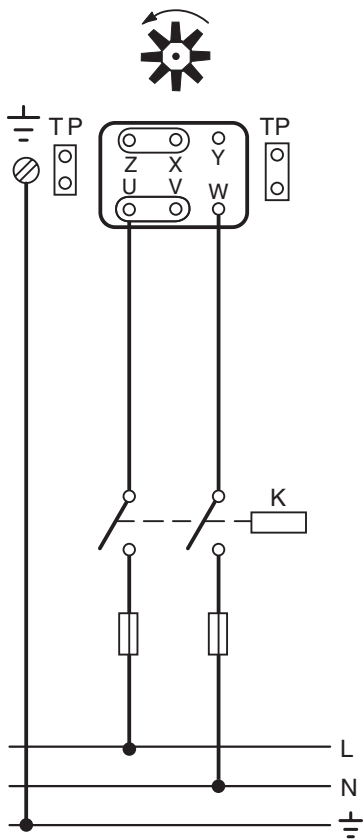
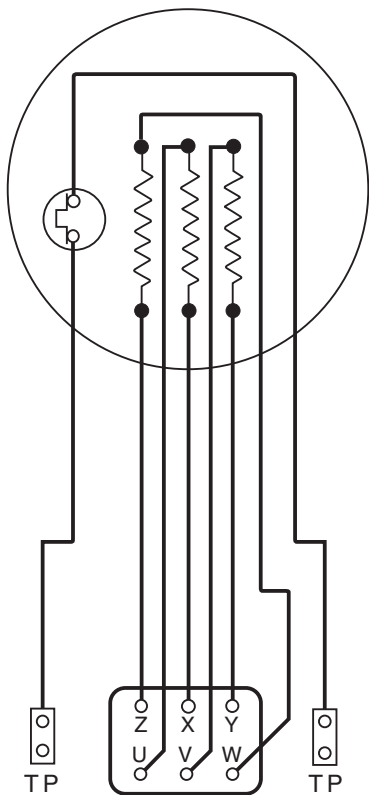


Fig.2

VENT-355
VENT-400





VENT-355
 VENT-400 ~3

Fig.3

ENGLISH

Installation and wiring instructions for VENT in-line duct fans.

The VENT range of in-line duct extractor fans has been manufactured in accordance with the rigorous standards of production and quality control laid down by the international Quality Standard ISO 9001. All components have been checked and each of the finished products has been tested at the end of the manufacturing process.

We recommend that you check the following when receiving this product:

- That is the correct size and model.
- That the details on the rating label are those you require; voltage, frequency, performance.

IMPORTANT SAFETY INFORMATION

- The installation should always be carried out in accordance with all current applicable Standards to the country in which it is installed.
- The installation should always be carried out by a suitably qualified and competent person(s).
- These fans are not for stand-alone use. They are designed to be incorporated into ducted systems, machines or where safe operation has been ensured by providing applicable protection to moving parts.
- Do not use this product in, or to extract from, potentially hazardous or explosive atmospheres.
- If the extractor operates in a room with a boiler or any other type of appliance requiring air for combustion, check that air replacement inlets are sufficiently sized.
- The extractor outlet must not be connected to a duct used to exhaust smoke or fumes from any appliance that uses gas or any other type of fuel

INSTALLATION

- This unit must not be installed outside, unless covered by a suitable weatherproof enclosure.
- Before installing the unit ensure the impeller is running freely and there are no obstructions to the airflow.
- For installation use the two mounting feet

fitted on the fan.

- The fan should always be installed so that safe operation and maintenance can be ensured.
- In order to avoid losses in performance we do not recommend that the fan is used in conjunction with ducting of a lesser diameter than the fan connection spigots. If the extractor is connected to flexible ducting, then the ducting must be expanded as much as possible.
- The fan should be installed to ensure minimum vibration and noise transmission to surrounding ductwork and building frames. Antivibration mountings and sound attenuating accessories are available. Please contact your local distributor.

ELECTRICAL CONNECTION.

- Before Installation and Wiring ENSURE THE MAINS ELECTRICAL SUPPLY IS DISCONNECTED!!
- Ensure that the voltage and frequency of the electrical supply match the information stated on the Data Plate of the unit (maximum recommended tolerance of Voltage (V) and Frequency (Hz) $\pm 5\%$).
- Connect the electrical supply in accordance with the electrical wiring diagrams included within this booklet.
- Before operation, check all connections are correct and there are no obstructions to the airflow.
- On connecting the electrical supply ensure the direction of rotation and airflow correspond with the direction of airflow / rotation arrows (sited on unit).

MAINTENANCE

- Before inspection or repair, ensure that the unit is disconnected from the mains electrical supply.
- The fan impeller should be cleaned at least once (1) a year to ensure trouble free operation.
- Do not clean the unit with strong detergents or cleaning fluids. Use a damp (not wet) cloth only for cleaning.

(Soler & Palau, S.A. reserve the right to alter specifications without prior notice)